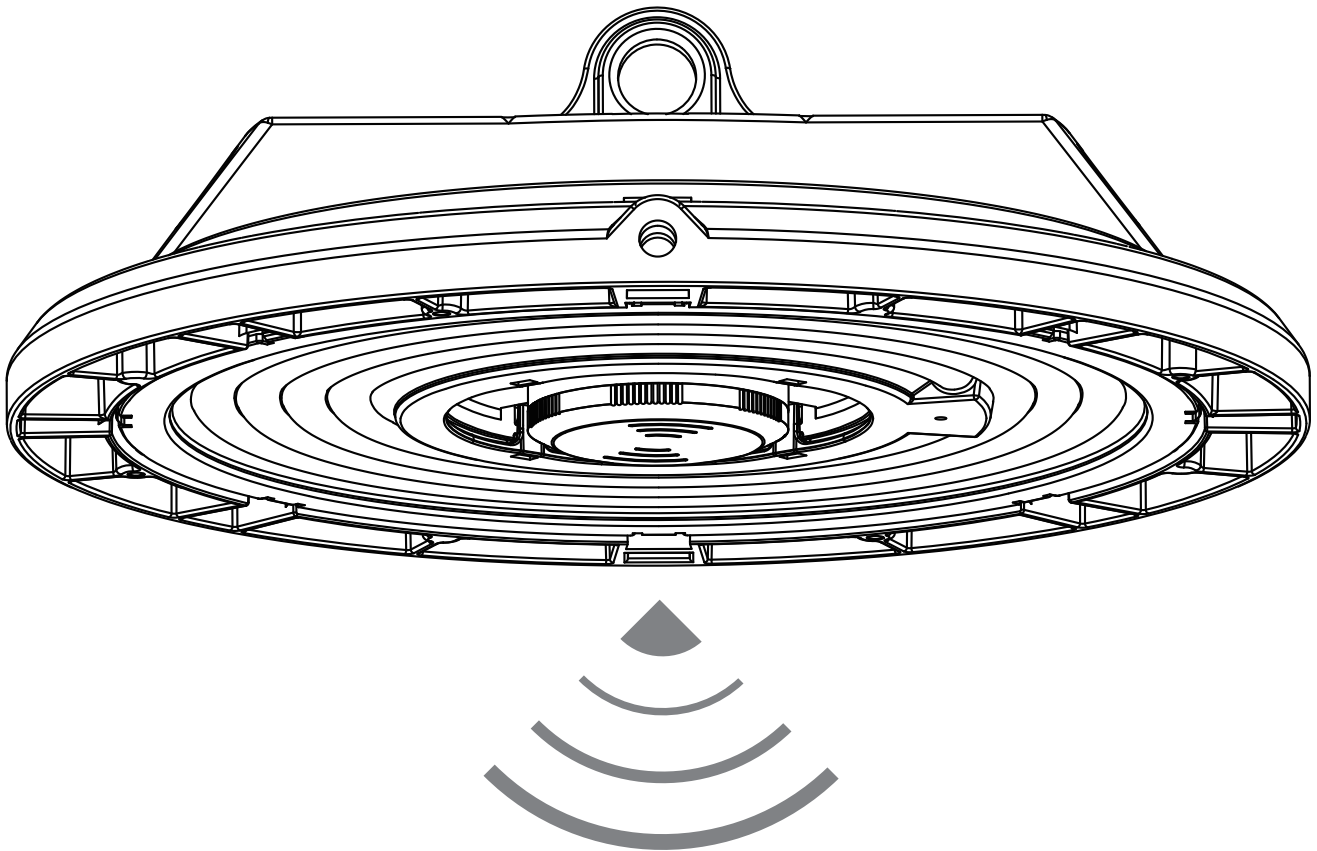


# LED HIGH BAY

## Product Specification

Version-A2-20201020



# FHBL-A Series(with Non-isolation Driver)

## Intelligent and Efficient LED High Bay Light

FHBL-A series is a new design concept of LED high bay lights, with patent designed and perfect of safety, energysaving, reliable and intelligent control. The systematic combination design of LED chips & heating makes the products have the competitive cost, long useful life and and low maintenance.

Lightweight design for easy installation and application; Excellent heat dissipation design, Self - cleaning and dustproof design to extend more application places.



### Product Features

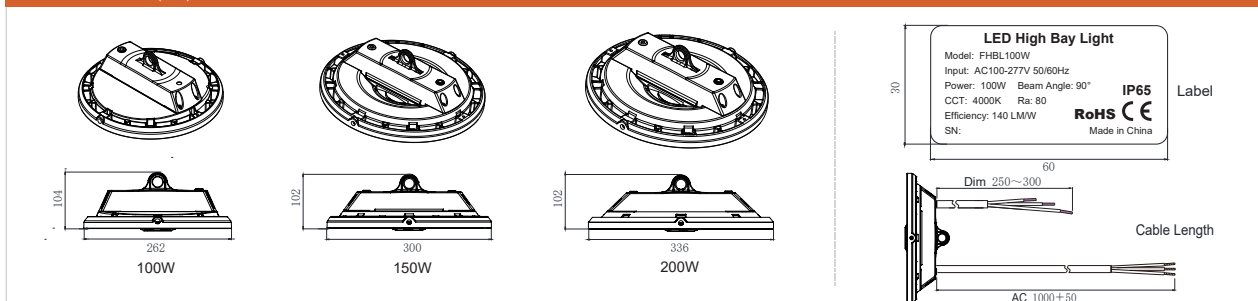
- 3 Options of luminous efficiency: 140LM/W(Ra80), 175LM/W (Ra80), 190LM/W (Ra70)
- Beam Angle for choose: 60°/ 90°/120°
- Wide input voltage meets different markets: 90 - 305VAC
- Operating Temperature Range: - 40~50℃ ( - 40~122°F)
- LED Lifespan: 50000H
- IP65 Waterproof Rating
- Controller model for choose: Single Microwave constant illumination; Group Microwave constant illumination+RF(868MHz)
- Installation mode options: Hook/Bracket Mount
- DIY follow up your needs: LED chips, Heat Sink and Driver
- SCP/OVP/OTP protection driver
- Controller inside or outside for option



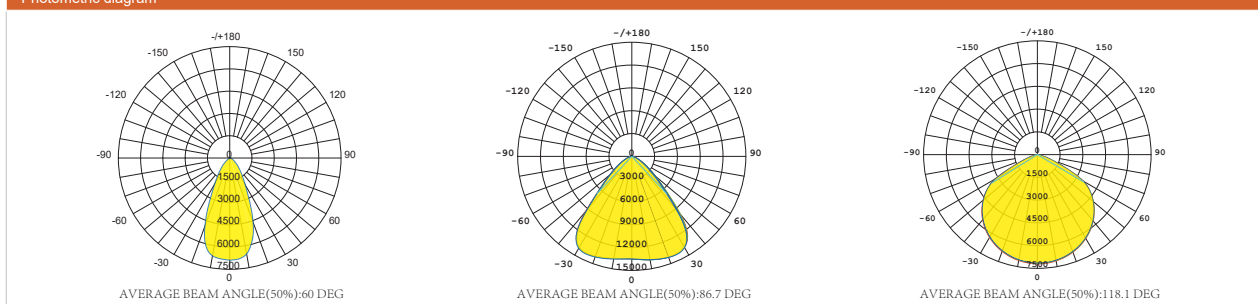
| Product Code                         | FHBL-100W   | FHBL-150W             | FHBL-200W             |
|--------------------------------------|---|-----------------------|-----------------------|
| Power                                | 100W  | 150W                  | 200W                  |
| Input Voltage                        | 90-305VAC   |                       |                       |
| Input Current                        | 0.45A/220VAC  | 0.68A/220VAC          | 0.91A/220VAC          |
| PF                                   | >0.95/220VAC  |                       |                       |
| Dimming (Optiona I)                  | 3 in 1 dimming (PWM, 1-10V, Resistor) or Microwave  |                       |                       |
| 12VDC Dimming                        | 12VDC±10%, Max.0.6W, Max.50mA (Dimming: outside controller or inside microwave controller for optional, only one can use 12V) |                       |                       |
| Normal Ra80,Luminous Flux Efficiency | 14000LM   140LM/W±10%   | 21000LM   140LM/W±10% | 28000LM   140LM/W±10% |
| High Ra80,Luminous Flux Efficiency   | 17500LM   175LM/W±10%   | 26250LM   175LM/W±10% | 35000LM   175LM/W±10% |
| High Ra70,Luminous Flux Efficiency   | 19000LM   190LM/W±10%   | 28500LM   190LM/W±10% | 38000LM   190LM/W±10% |
| CCT                                  | 4000K / 5000K / 5700K   |                       |                       |
| Beam Angle                           | 60° 90° 120°  |                       |                       |
| Operation Temp & Humidity            | -40 ~ 50 C , 20 ~ 95%RH No condensation   |                       |                       |
| Storage Temp & Humidity              | -40 ~ 85 C , 10 ~ 95%RH No condensation   |                       |                       |
| Life Span                            | 50000Hours  |                       |                       |
| Surge                                | 6KV / 10KV  |                       |                       |
| IP/ IK Class                         | IP65 / IK08   |                       |                       |
| Cer tificate                         | ETL, CB, CE, PSE, SAA, ROHS2.0  |                       |                       |
| Lamp Body Color                      | Housing: Die-casting Aluminum<br>Color: Black (RAL9005)<br>Lens: PC   |                       |                       |
| Installation mode                    | Hook /Bracket Mount (reference the Installation Manual)   |                       |                       |
| Product Warranty                     | 5years  |                       |                       |

Note: When doing electric strength (hi-pot) testing, to prevent the internal gas discharge tube from conducting, the end-cap should be removed temporarily from the "GDT ground"(nut and metal lock sheet) on the driver (refer to IEC 60598-1 Clause 10.2). After testing is completed, these items must be reinstalled to restore the surge protection and ensure the reliable contact between the metal lock plate and the end cover.

### Product Dimensions (mm)



### Photometric diagram



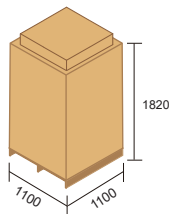
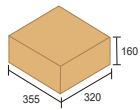
# FHBL-A Series(with Non-isolation Driver)

| Product Code | Power | Dimming | Beam Angle | Color Temp.       | CRI | Light Efficiency | Net Weight(Kg) | Gross Weight(Kg) |
|--------------|-------|---------|------------|-------------------|-----|------------------|----------------|------------------|
| FHBL100W     | 100W  | Yes     | 60/90/120  | 4000K/5000K/5700K | 80  | 140/175          | 2              | 2.6              |
|              |       |         |            |                   | 70  | 190              |                |                  |
| FHBL150W     | 150W  | Yes     | 60/90/120  | 4000K/5000K/5700K | 80  | 140/175          | 2.7            | 3.3              |
|              |       |         |            |                   | 70  | 190              |                |                  |
| FHBL200W     | 200W  | Yes     | 60/90/120  | 4000K/5000K/5700K | 80  | 140/175          | 3              | 3.7              |
|              |       |         |            |                   | 70  | 190              |                |                  |

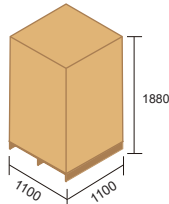
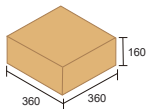
| Optional Accessories |   |
|----------------------|---|
| 100W Holder          | FHBL-S holder included 3sets*M8 screws & nuts                                       |
| 150W Holder          | FHBL-M holder included 3sets*M8 screws & nuts                                       |
| 200W Holder          | FHBL-L holder included 3sets*M8 screws & nuts                                       |
| Hook                 | φ 6mm SUS304 hook (size: 60*30mm)   |
| Safety rope          | L1000 mm SUS304 (one end with φ 6mm metal ball and the other end with screw locker) |
| Microwave Model      | HN020-01V Microwave / constant illumination   |
|                      | HN021-01V Microwave / constant illumination+RF(868MHz)                              |
| Standard controller  | HRC-11 Remote Control   |
| 100W Lens            | FHBL-S- Lens-60° (216.39*17.2mm; PC)  |
|                      | FHBL-S- Lens-90° (216.39*17.2mm; PC)  |
|                      | FHBL-S-Lens-120° (216.39*17.2mm; PC)  |
| 150W Lens            | FHBL-M-Lens-60° (253.73*15.4mm; PC)   |
|                      | FHBL-M-Lens-90° (253.73*15.4mm; PC)   |
|                      | FHBL-M-Lens-120° (253.73*15.4mm; PC)  |
| 200W Lens            | FHBL-L-Lens-60° (288.38*15.4mm; PC)   |
|                      | FHBL-L-Lens-90° (288.38*15.4mm; PC)   |
|                      | FHBL-L-Lens-120° (288.38*15.4mm; PC)  |

## Container Volume Calculation

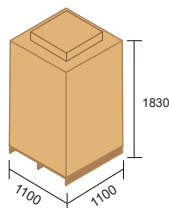
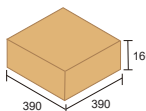
Unit: mm



| QTY of containers installed |                          | Unit PCS    |      |      |
|-----------------------------|--------------------------|-------------|------|------|
| FHBL-S                      | Pallets(1100×1100×120mm) | Container   | 20GP | 40GP |
|                             | Product Qty: 114PCS      | Pallets Qty | 10   | 20   |
|                             |                          | Product Qty | 1140 | 2280 |



| QTY of containers installed |                          | Unit PCS    |      |      |
|-----------------------------|--------------------------|-------------|------|------|
| FHBL-M                      | Pallets(1100×1100×120mm) | Container   | 20GP | 40GP |
|                             | Product Qty: 99PCS       | Pallets Qty | 10   | 20   |
|                             |                          | Product Qty | 990  | 1980 |



| QTY of containers installed |                          | Unit PCS    |      |      |
|-----------------------------|--------------------------|-------------|------|------|
| FHBL-L                      | Pallets(1100×1100×120mm) | Container   | 20GP | 40GP |
|                             | Product Qty: 80 PCS      | Pallets Qty | 10   | 20   |
|                             |                          | Product Qty | 800  | 1600 |