



EM30 15W/20W/30W ALL IN ONE

CONSTANT POWER LED EMERGENCY CONVERTER



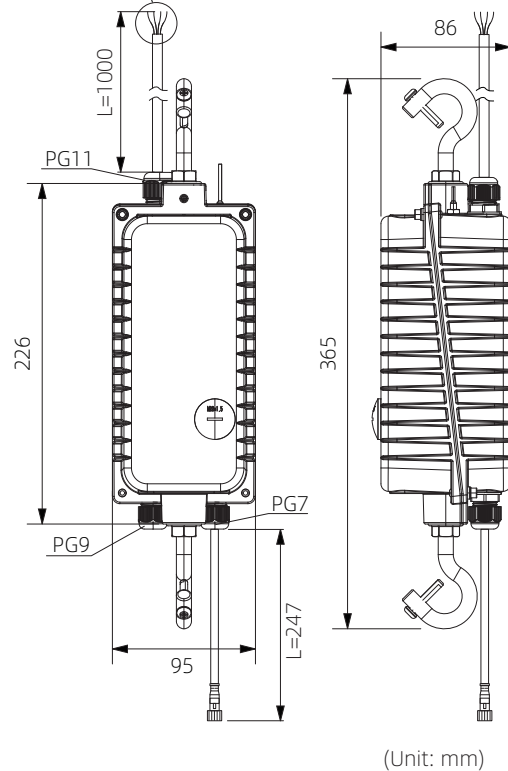
Product Information

This emergency driver is designed for use with the high bay luminaires with integrated LEDs and remote LED drivers. It can be suspended with a luminaire to provide a back-up supply in the event of the power cut. This emergency driver requires a permanent live un-switched supply to maintain the battery charge. In the event of the power cut, the battery will supply the integrated LEDs at rated output.

Features

- ◆ Constant poweroutput
- ◆ For LED modules with a widerated voltage 30-150VDC
- ◆ Tow gears for adjustingmaximum output voltage: 60V/150V
- ◆ Three gears for adjusting emergency power: 15W/20W/30W
- ◆ Wireless remote control for emergency testing
- ◆ For high bay luminaires with integrated LEDs and remote LED drivers
- ◆ Maintenance of emergency lighting system
- ◆ Conforms to EN 61347-1,EN 61347-2-7 and EN 61347-2-13
- ◆ Equipped with IP68 certified water-proof connector
- ◆ Automatically starts to work during voltage fluctuation and flicker.
- ◆ 1.5/2/3 hours rated duration
- ◆ Over-charge, over-current, short-circuit and deep discharge protection for battery
- ◆ Test button for a quick functional test
- ◆ Design life:
 - 8 years @ 25°C max ambient temperatures.
 - 6 years @ 35°C max ambient temperatures.
 - 4 years @ 45°C max ambient temperatures.
- ◆ Warranty 3 years.

Wire Color	Explain
1mm ² Brown	AC Line
1mm ² Black	Ac Line Switch
1mm ² Blue	Neutral
1mm ² Yellow/Green	Ground



Model List

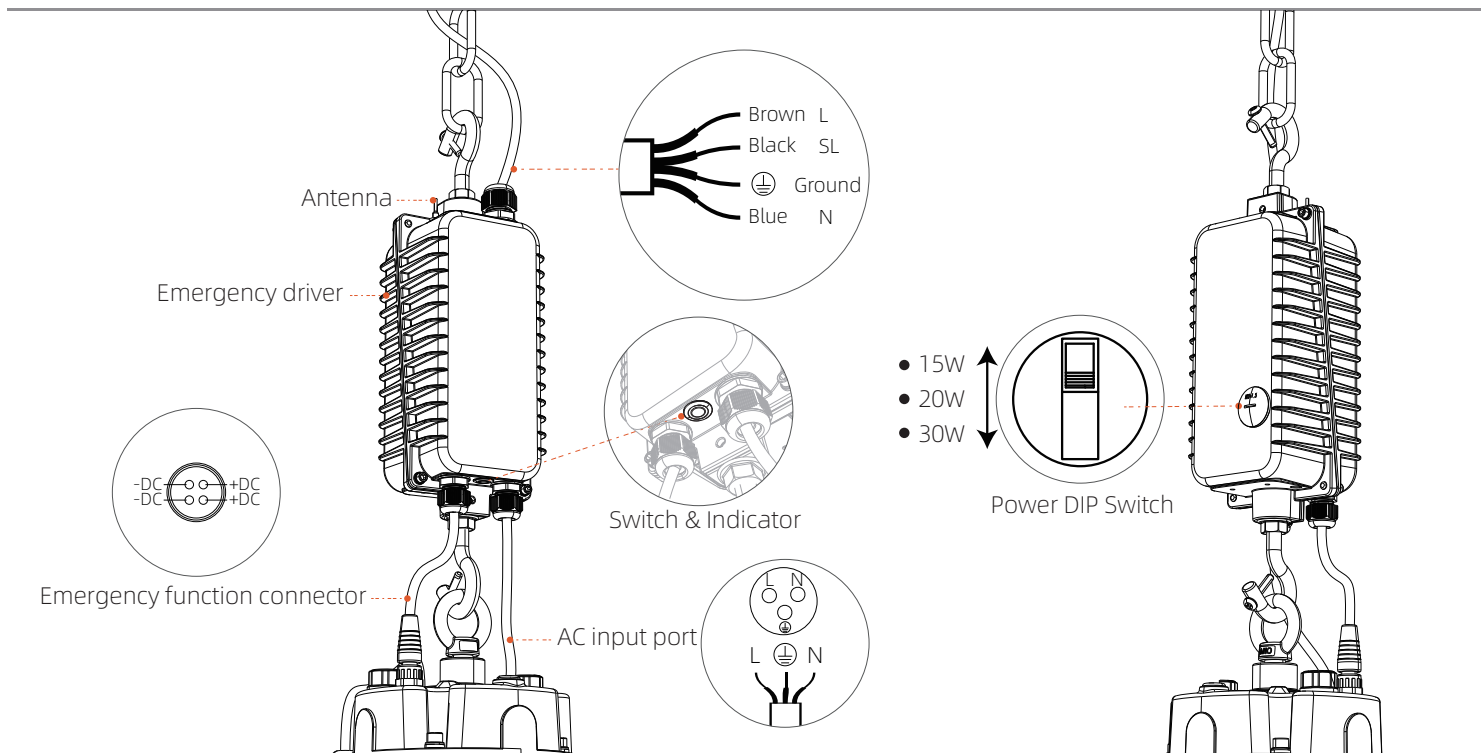
Model No.	Input Voltage	Output Power	Test Mode	Charge Time	Discharge Duration	Battery
EM30-180A/B-6Ah-LFP	220-240VAC	15W	MT/AT	24H	180Mins	LiFePO4 12.8V 6Ah
EM30-120A/B-6Ah-LFP	220-240VAC	20W	MT/AT	24H	120Mins	LiFePO4 12.8V 6Ah
EM30-090A/B-6Ah-LFP	220-240VAC	30W	MT/AT	24H	90Mins	LiFePO4 12.8V 6Ah

Specifications

	EM30-180A-6Ah-LFP	EM30-120A-6Ah-LFP	EM30-090A-6Ah-LFP
Output Power	15W	20W	30W
Discharge Duration	180Mins	120Mins	90Mins
Input Voltage	220-240VAC,50/60Hz	220-240VAC,50/60Hz	220-240VAC,50/60Hz
Input Current	100mA Max.	100mA Max.	100mA Max.
Power factor	0.5	0.5	0.5
Output Voltage	30-60VDC	30-60VDC	30-60VDC
Output Current	250-500mA	330-670mA	500-1000mA
Battery	LiFePO4 12.8V 6Ah	LiFePO4 12.8V 6Ah	LiFePO4 12.8V 6Ah
Charge Time	24H	24H	24H
Test Mode	MT/AT	MT/AT	MT/AT
IP Rating	IP65	IP65	IP65
Ambient Temperature	0°C-45°C	0°C-45°C	0°C-45°C

	EM30-180B-6Ah-LFP	EM30-120B-6Ah-LFP	EM30-090B-6Ah-LFP
Output Power	15W	20W	30W
Discharge Duration	180Mins	120Mins	90Mins
Input Voltage	220-240VAC,50/60Hz	220-240VAC,50/60Hz	220-240VAC,50/60Hz
Input Current	100mA Max.	100mA Max.	100mA Max.
Power factor	0.5	0.5	0.5
Output Voltage	60-150VDC	60-150VDC	60-150VDC
Output Current	100-250mA	130-330mA	200-500mA
Battery	LiFePO4 12.8V 6Ah	LiFePO4 12.8V 6Ah	LiFePO4 12.8V 6Ah
Charge Time	24H	24H	24H
Test Mode	MT/AT	MT/AT	MT/AT
IP Rating	IP65	IP65	IP65
Ambient Temperature	0°C-45°C	0°C-45°C	0°C-45°C

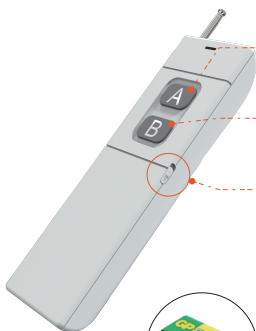
Wiring diagram



System Status indication

TEST	LED indicator	LED indication	System Status
AT		Green permanent	Power on and System OK
		Green Slow flash (4s on, 1s off)	Charging
		Red Slow flash (4s on, 1s off)	Duration test and 5 days indication following completion of test
		Red medium flash (1s on, 1s off)	Function test
		Red fast flash once, then pause (0.5s on, 0.5s off, 4s pause)	Battery not connected or short-circuited
		Fast flash twice, then pause (0.5s on, 0.5s off, 4s pause)	Low battery capacity
		Fast flash 3 times, then pause (0.5s on, 0.5s off, 4s pause)	Charge circuit fault
		Fast flash 4 times, then pause (0.5s on, 0.5s off, 4s pause)	LED driver circuit fault
		Fast flash 4 times, then pause (0.5s on, 0.5s off, 4s pause)	LED lamp fault
			Green and Red Off
Notes: After repairing a service fault, press and hold the test button for more than 2 seconds to reset the flashing indicator light to green.			
MT	Green	Permanent	Normal standby mode or charging
	Green	Off	Power off or battery fault

Remote Control Operation Instructions



Use 9V carbon block battery to drive the remote control

- A. Press the remote control button "A" once to enter the emergency test mode of nominal duration.
- B. Press the remote control button "B" once to close or exit the emergency mode.
- C. From side switch to "N" to connect the battery, remote control is in remote control state.
If toggled switch to "F", the battery will be disconnected, and the remote control will be unavailable (it is recommended to disconnect the battery if it is not used for a long time).
- D. Other parameters
 - 1) Use 433MHz transmission and reception frequency, not easily interfered.
 - 2) Remote control direction 360 degrees without dead angle, not easy to block.
 - 3) Super power transmitting and receiving antenna, remote control distance is longer, linear remote control distance 20-50M.
 - 4) No need to learn, use one-to-many control mode, one remote control can control all emergency lamps.