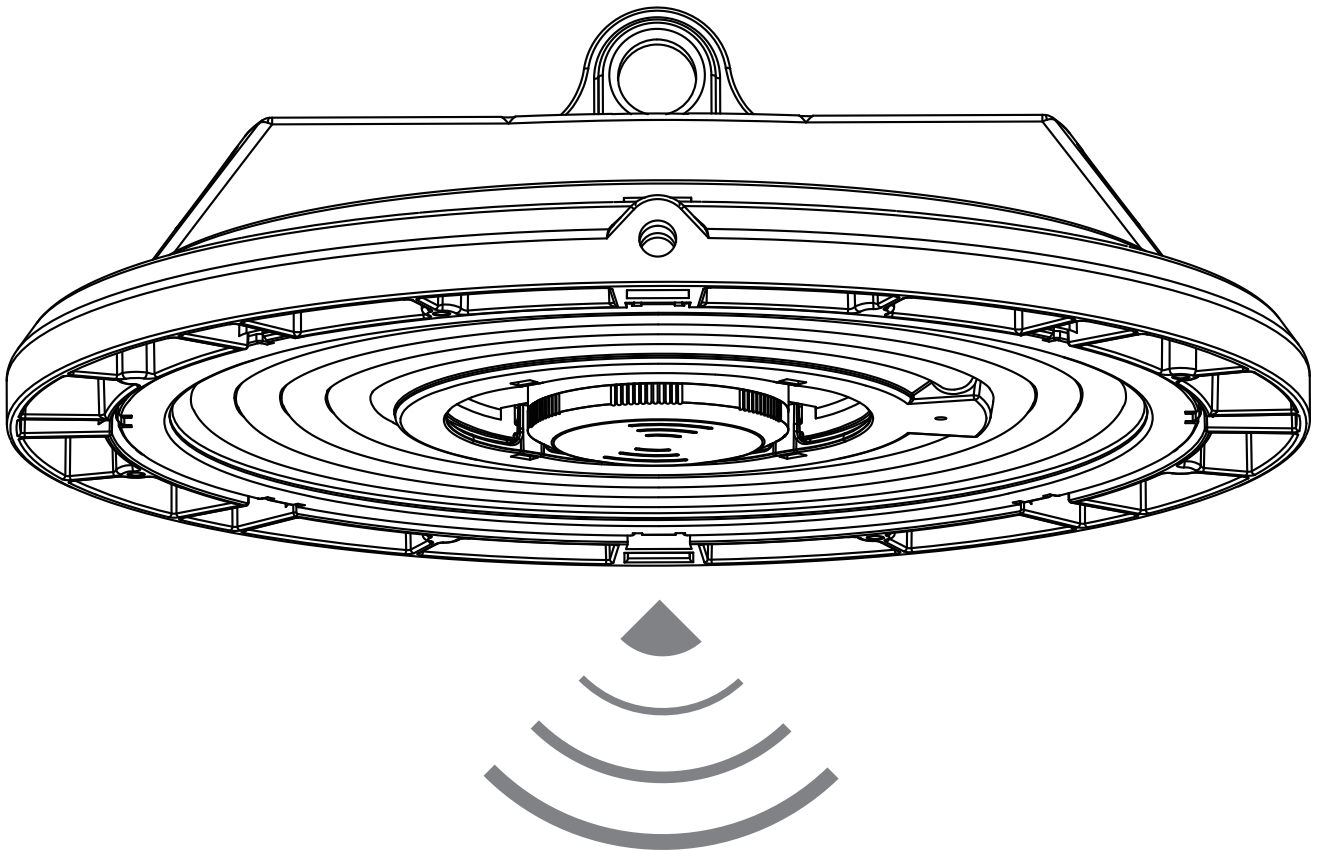


# LED HIGH BAY

## Product Specification

Version-A2-20201020



# FHBL-A Series(with Non-isolation Driver)

## Intelligent and Efficient LED High Bay Light

FHBL-A series is a new design concept of LED high bay lights, with patent designed and perfect of safety, energysaving, reliable and intelligent control. The systematic combination design of LED chips & heating makes the products have the competitive cost, long useful life and and low maintenance.

Lightweight design for easy installation and application; Excellent heat dissipation design, Self - cleaning and dustproof design to extend more application places.



### Product Features

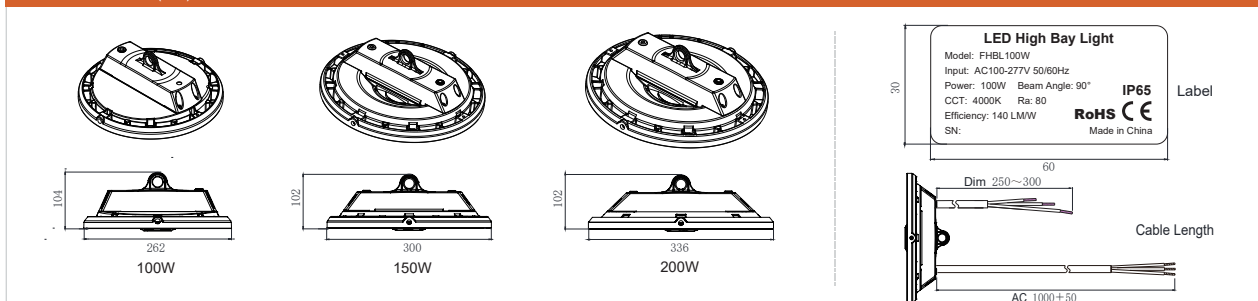
- 3 Options of luminous efficiency: 140LM/W(Ra80), 175LM/W (Ra80), 190LM/W (Ra70)
- Beam Angle for choose: 60°/ 90°/120°
- Wide input voltage meets different markets: 90 - 305VAC
- Operating Temperature Range: - 40~50℃ ( - 40~122°F)
- LED Lifespan: 50000H
- IP65 Waterproof Rating
- Controller model for choose: Single Microwave constant illumination; Group Microwave constant illumination+RF(868MHz)
- Installation mode options: Hook/Bracket Mount
- DIY follow up your needs: LED chips, Heat Sink and Driver
- SCP/OVP/OTP protection driver
- Controller inside or outside for option



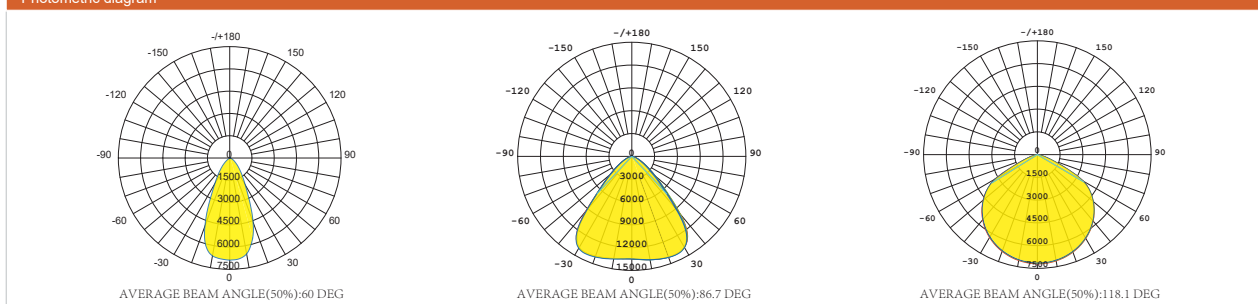
Product Code	FHBL-100W	FHBL-150W	FHBL-200W
Power	100W	150W	200W
Input Voltage	90-305VAC		
Input Current	0.45A/220VAC	0.68A/220VAC	0.91A/220VAC
PF	>0.95/220VAC		
Dimming (Optiona I)	3 in 1 dimming (PWM, 1-10V, Resistor) or Microwave		
12VDC Dimming	12VDC±10%, Max.0.6W, Max.50mA (Dimming: outside controller or inside microwave controller for optional, only one can use 12V)		
Normal Ra80,Luminous Flux Efficiency	14000LM   140LM/W±10%	21000LM   140LM/W±10%	28000LM   140LM/W±10%
High Ra80,Luminous Flux Efficiency	17500LM   175LM/W±10%	26250LM   175LM/W±10%	35000LM   175LM/W±10%
High Ra70,Luminous Flux Efficiency	19000LM   190LM/W±10%	28500LM   190LM/W±10%	38000LM   190LM/W±10%
CCT	4000K / 5000K / 5700K		
Beam Angle	60° 90° 120°		
Operation Temp & Humidity	-40 ~ 50 C , 20 ~ 95%RH No condensation		
Storage Temp & Humidity	-40 ~ 85 C , 10 ~ 95%RH No condensation		
Life Span	50000Hours		
Surge	6KV / 10KV		
IP/ IK Class	IP65 / IK08		
Cer tificate	ETL, CB, CE, PSE, SAA, ROHS2.0		
Lamp Body Color	Housing: Die-casting Aluminum Color: Black (RAL9005) Lens: PC		
Installation mode	Hook /Bracket Mount (reference the Installation Manual)		
Product Warranty	5years		

Note: When doing electric strength (hi-pot) testing, to prevent the internal gas discharge tube from conducting, the end-cap should be removed temporarily from the "GDT ground"(nut and metal lock sheet) on the driver (refer to IEC 60598-1 Clause 10.2). After testing is completed, these items must be reinstalled to restore the surge protection and ensure the reliable contact between the metal lock plate and the end cover.

### Product Dimensions (mm)



### Photometric diagram



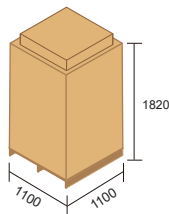
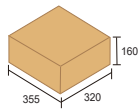
# FHBL-A Series(with Non-isolation Driver)

Product Code	Power	Dimming	Beam Angle	Color Temp.	CRI	Light Efficiency	Net Weight(Kg)	Gross Weight(Kg)
FHBL100W	100W	Yes	60/90/120	4000K/5000K/5700K	80	140/175	2	2.6
					70	190		
FHBL150W	150W	Yes	60/90/120	4000K/5000K/5700K	80	140/175	2.7	3.3
					70	190		
FHBL200W	200W	Yes	60/90/120	4000K/5000K/5700K	80	140/175	3	3.7
					70	190		

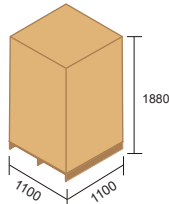
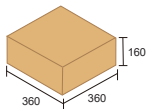
Optional Accessories	
100W Holder	FHBL-S holder included 3sets*M8 screws & nuts
150W Holder	FHBL-M holder included 3sets*M8 screws & nuts
200W Holder	FHBL-L holder included 3sets*M8 screws & nuts
Hook	φ 6mm SUS304 hook (size: 60*30mm)
Safety rope	L1000 mm SUS304 (one end with φ 6mm metal ball and the other end with screw locker)
Microwave Model	HN020-01V Microwave / constant illumination
	HN021-01V Microwave / constant illumination+RF(868MHz)
Standard controller	HRC-11 Remote Control
100W Lens	FHBL-S- Lens-60° (216.39*17.2mm; PC)
	FHBL-S- Lens-90° (216.39*17.2mm; PC)
	FHBL-S-Lens-120° (216.39*17.2mm; PC)
150W Lens	FHBL-M-Lens-60° (253.73*15.4mm; PC)
	FHBL-M-Lens-90° (253.73*15.4mm; PC)
	FHBL-M-Lens-120° (253.73*15.4mm; PC)
200W Lens	FHBL-L-Lens-60° (288.38*15.4mm; PC)
	FHBL-L-Lens-90° (288.38*15.4mm; PC)
	FHBL-L-Lens-120° (288.38*15.4mm; PC)

## Container Volume Calculation

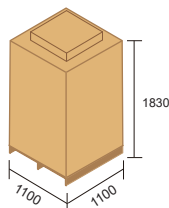
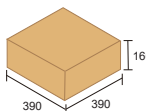
Unit: mm



QTY of containers installed		Unit PCS		
FHBL-S	Pallets(1100×1100×120mm)	Container	20GP	40GP
	Product Qty: 114PCS	Pallets Qty	10	20
		Product Qty	1140	2280



QTY of containers installed		Unit PCS		
FHBL-M	Pallets(1100×1100×120mm)	Container	20GP	40GP
	Product Qty: 99PCS	Pallets Qty	10	20
		Product Qty	990	1980



QTY of containers installed		Unit PCS		
FHBL-L	Pallets(1100×1100×120mm)	Container	20GP	40GP
	Product Qty: 80 PCS	Pallets Qty	10	20
		Product Qty	800	1600