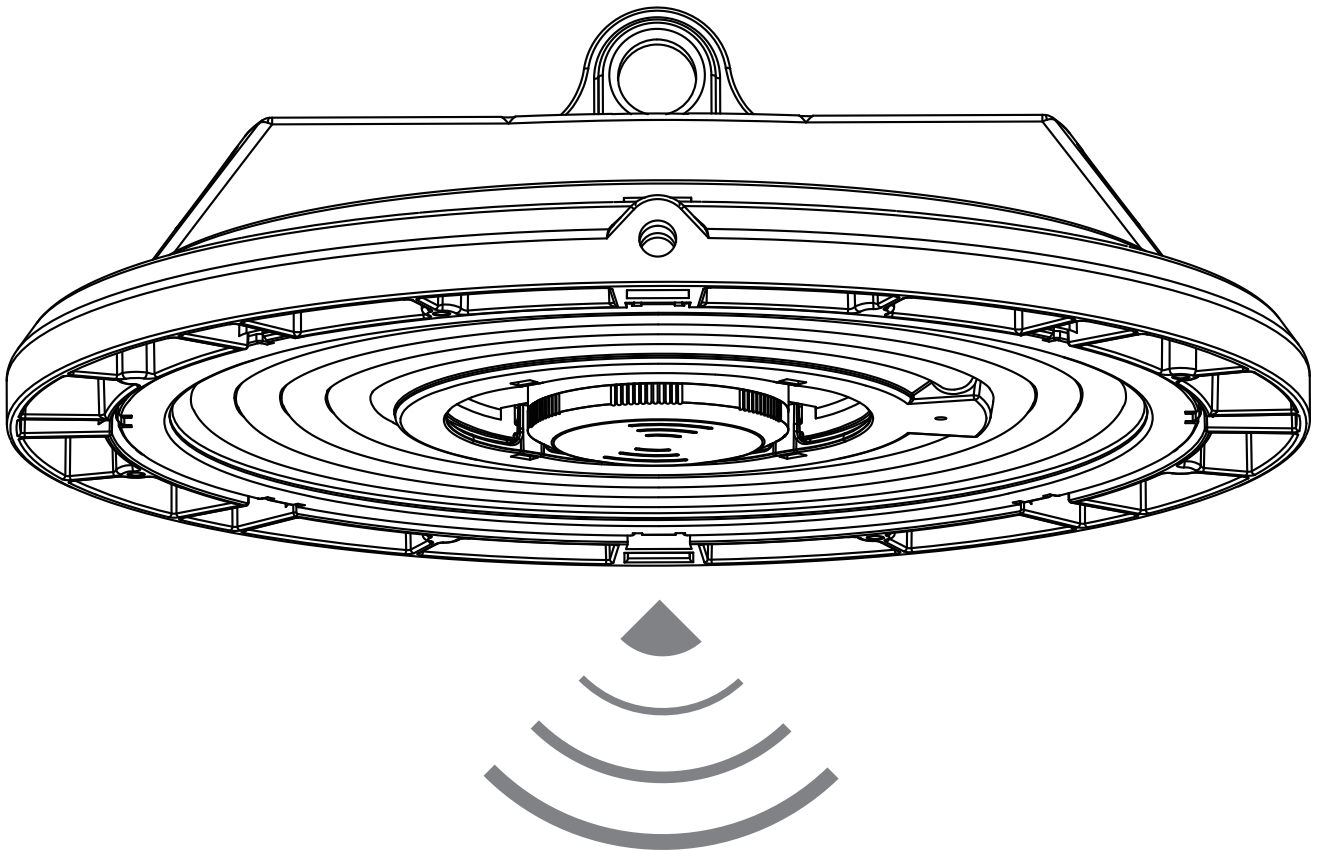


LED HIGH BAY

Product Specification

Version-A2-20201020



FHBL-A Series(with Non-isolation Driver)

Intelligent and Efficient LED High Bay Light

FHBL-A series is a new design concept of LED high bay lights, with patent designed and perfect of safety, energysaving, reliable and intelligent control. The systematic combination design of LED chips & heating makes the products have the competitive cost, long useful life and and low maintenance.

Lightweight design for easy installation and application; Excellent heat dissipation design, Self - cleaning and dustproof design to extend more application places.



Product Features

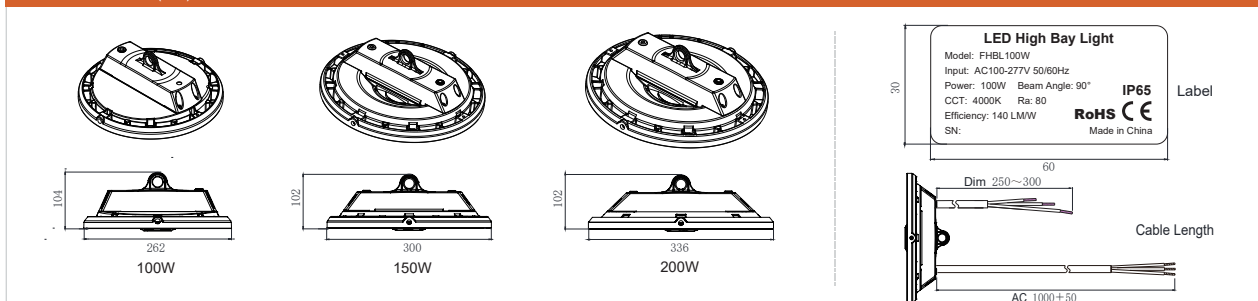
- 3 Options of luminous efficiency: 140LM/W(Ra80), 175LM/W (Ra80), 190LM/W (Ra70)
- Beam Angle for choose: 60°/ 90°/120°
- Wide input voltage meets different markets: 90 - 305VAC
- Operating Temperature Range: - 40~50℃ (- 40~122°F)
- LED Lifespan: 50000H
- IP65 Waterproof Rating
- Controller model for choose: Single Microwave constant illumination; Group Microwave constant illumination+RF(868MHz)
- Installation mode options: Hook/Bracket Mount
- DIY follow up your needs: LED chips, Heat Sink and Driver
- SCP/OVP/OTP protection driver
- Controller inside or outside for option



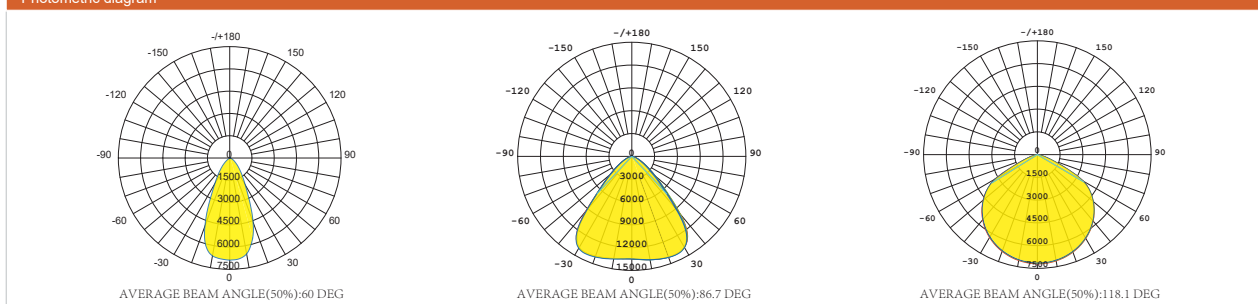
Product Code	FHBL-100W	FHBL-150W	FHBL-200W
Power	100W	150W	200W
Input Voltage	90-305VAC		
Input Current	0.45A/220VAC	0.68A/220VAC	0.91A/220VAC
PF	>0.95/220VAC		
Dimming (Optiona I)	3 in 1 dimming (PWM, 1-10V, Resistor) or Microwave		
12VDC Dimming	12VDC±10%, Max.0.6W, Max.50mA (Dimming: outside controller or inside microwave controller for optional, only one can use 12V)		
Normal Ra80,Luminous Flux Efficiency	14000LM 140LM/W±10%	21000LM 140LM/W±10%	28000LM 140LM/W±10%
High Ra80,Luminous Flux Efficiency	17500LM 175LM/W±10%	26250LM 175LM/W±10%	35000LM 175LM/W±10%
High Ra70,Luminous Flux Efficiency	19000LM 190LM/W±10%	28500LM 190LM/W±10%	38000LM 190LM/W±10%
CCT	4000K / 5000K / 5700K		
Beam Angle	60° 90° 120°		
Operation Temp & Humidity	-40 ~ 50 C , 20 ~ 95%RH No condensation		
Storage Temp & Humidity	-40 ~ 85 C , 10 ~ 95%RH No condensation		
Life Span	50000Hours		
Surge	6KV / 10KV		
IP/ IK Class	IP65 / IK08		
Cer tificate	ETL, CB, CE, PSE, SAA, ROHS2.0		
Lamp Body Color	Housing: Die-casting Aluminum Color: Black (RAL9005) Lens: PC		
Installation mode	Hook /Bracket Mount (reference the Installation Manual)		
Product Warranty	5years		

Note: When doing electric strength (hi-pot) testing, to prevent the internal gas discharge tube from conducting, the end-cap should be removed temporarily from the "GDT ground"(nut and metal lock sheet) on the driver (refer to IEC 60598-1 Clause 10.2). After testing is completed, these items must be reinstalled to restore the surge protection and ensure the reliable contact between the metal lock plate and the end cover.

Product Dimensions (mm)



Photometric diagram



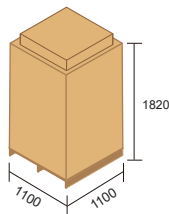
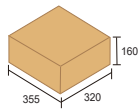
FHBL-A Series(with Non-isolation Driver)

Product Code	Power	Dimming	Beam Angle	Color Temp.	CRI	Light Efficiency	Net Weight(Kg)	Gross Weight(Kg)
FHBL100W	100W	Yes	60/90/120	4000K/5000K/5700K	80	140/175	2	2.6
					70	190		
FHBL150W	150W	Yes	60/90/120	4000K/5000K/5700K	80	140/175	2.7	3.3
					70	190		
FHBL200W	200W	Yes	60/90/120	4000K/5000K/5700K	80	140/175	3	3.7
					70	190		

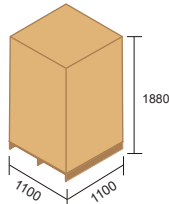
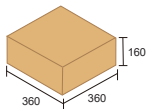
Optional Accessories	
100W Holder	FHBL-S holder included 3sets*M8 screws & nuts
150W Holder	FHBL-M holder included 3sets*M8 screws & nuts
200W Holder	FHBL-L holder included 3sets*M8 screws & nuts
Hook	φ 6mm SUS304 hook (size: 60*30mm)
Safety rope	L1000 mm SUS304 (one end with φ 6mm metal ball and the other end with screw locker)
Microwave Model	HN020-01V Microwave / constant illumination
	HN021-01V Microwave / constant illumination+RF(868MHz)
Standard controller	HRC-11 Remote Control
100W Lens	FHBL-S- Lens-60° (216.39*17.2mm; PC)
	FHBL-S- Lens-90° (216.39*17.2mm; PC)
	FHBL-S-Lens-120° (216.39*17.2mm; PC)
150W Lens	FHBL-M-Lens-60° (253.73*15.4mm; PC)
	FHBL-M-Lens-90° (253.73*15.4mm; PC)
	FHBL-M-Lens-120° (253.73*15.4mm; PC)
200W Lens	FHBL-L-Lens-60° (288.38*15.4mm; PC)
	FHBL-L-Lens-90° (288.38*15.4mm; PC)
	FHBL-L-Lens-120° (288.38*15.4mm; PC)

Container Volume Calculation

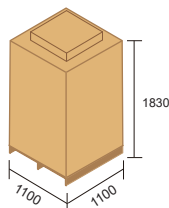
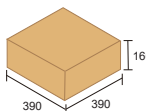
Unit: mm



QTY of containers installed		Unit PCS		
FHBL-S	Pallets(1100×1100×120mm)	Container	20GP	40GP
	Product Qty: 114PCS	Pallets Qty	10	20
		Product Qty	1140	2280



QTY of containers installed		Unit PCS		
FHBL-M	Pallets(1100×1100×120mm)	Container	20GP	40GP
	Product Qty: 99PCS	Pallets Qty	10	20
		Product Qty	990	1980



QTY of containers installed		Unit PCS		
FHBL-L	Pallets(1100×1100×120mm)	Container	20GP	40GP
	Product Qty: 80 PCS	Pallets Qty	10	20
		Product Qty	800	1600