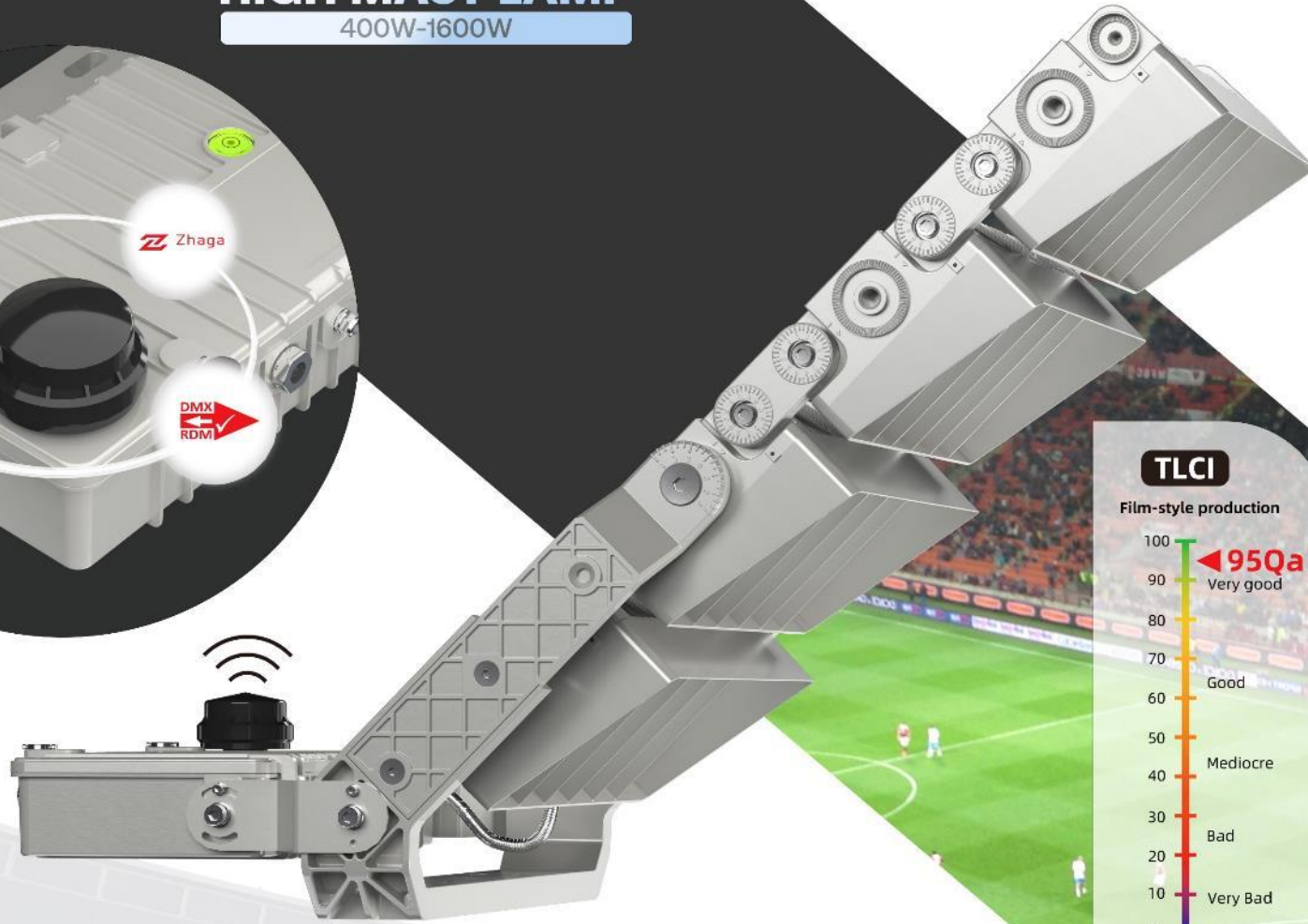


MHL HIGH MAST LAMP

400W-1600W

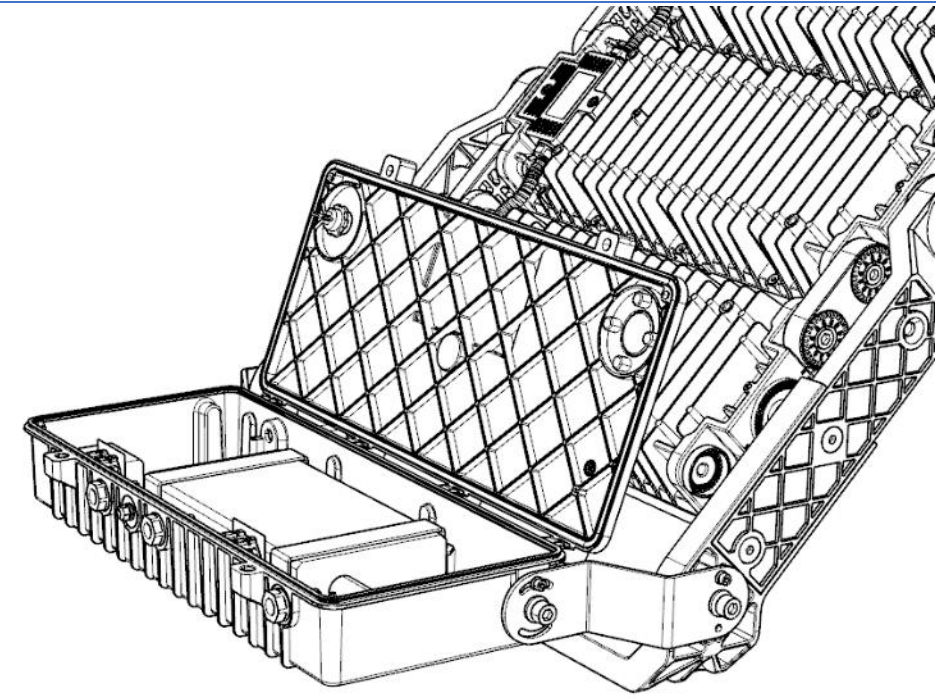
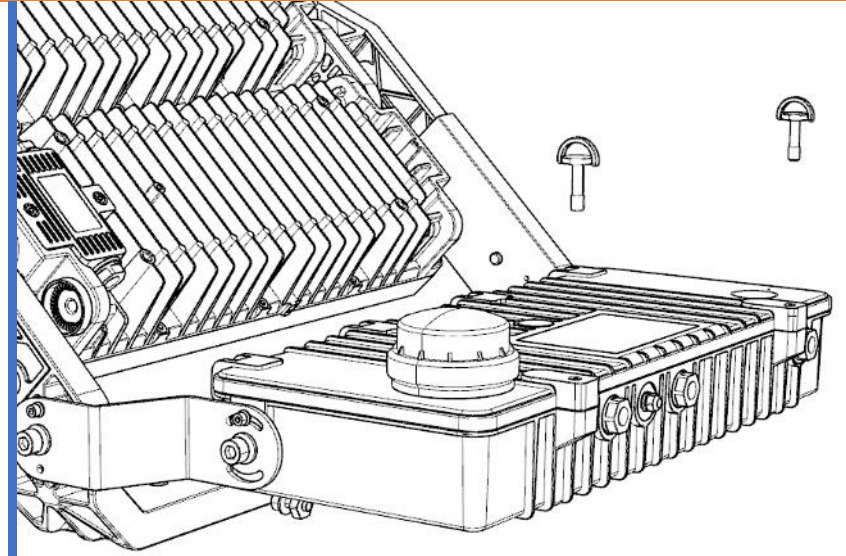


DIRECTORY

- Parameter Table..... 4
- Introduction to reliable intelligent electrical appliance cabinet 5
- Excellent lighting quality design for lamps9
- Introduction to highlights of flexible component installation 12
- Multiple application scenario solutions 17

Parameter :

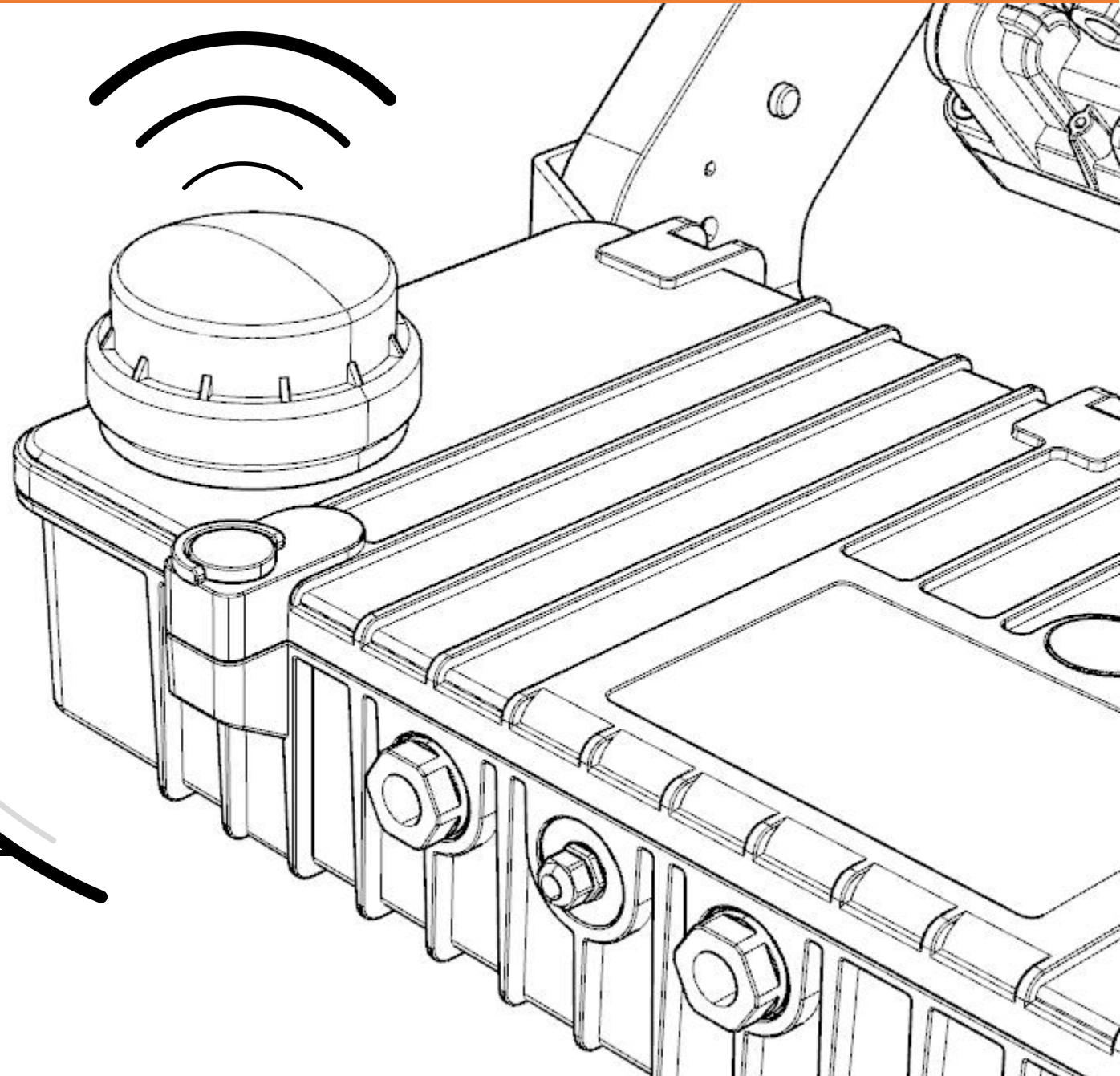
Item No.	MHL-400W/A	MHL-800W/A	MHL-1200W/A	MHL-1600W/A
Module's Number:	1PCS	2PCS	3PCS	4PCS
Power:	400W	800W	1200W	1600W
Input Volt:	AC100-305V 47-63Hz			
Power Factor:	>0.95			
Surge Protection:	L/N-G>10KV & L-N>6KV			
THD:	<10%			
Chip:	CSP2121			
Chip's Qty:	192PCS	384PCS	576PCS	768PCS
CCT:	2700-6500K			
CRI:	>70 or >80			
Driver:	INVENTRONICS/SOSEN/MEANWELL			
Driver Box:	Fixed on Install Bracket or Separated from it			
Beam Angle:	10/15/30/50°/Asymmetric			
Lumen Efficiency:	110-170lm/w			
Ingress Protection:	IP66			
IK Level:	IK08			
Warranty:	5 Years			
Lifespan:	100000 Hours			
Working Temperature:	-30°C ~ +40°C			
Housing Material:	Die-cast Aluminum + PC LENS			
Housing Color:	Black/Silver Color			
Product Size (mm)	506X180	506X380	506X580	506X780
Net weight (kg) ±0.1				
Inner Box Packing Size (mm)				
Outer Box Packing Size (mm)				
QTY of Carton Packaging				
Installation				



SMART ELECTRICAL CABINET

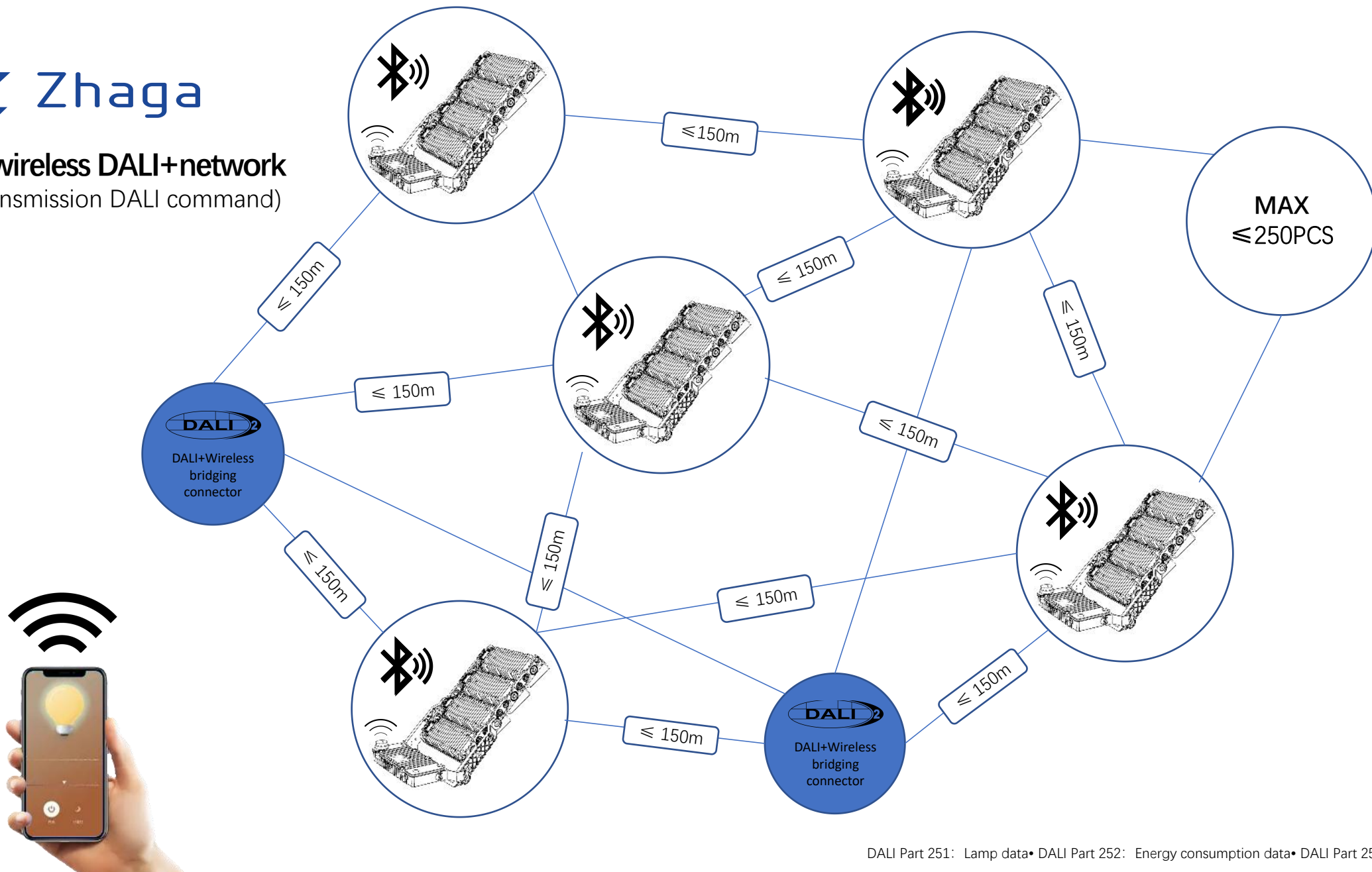


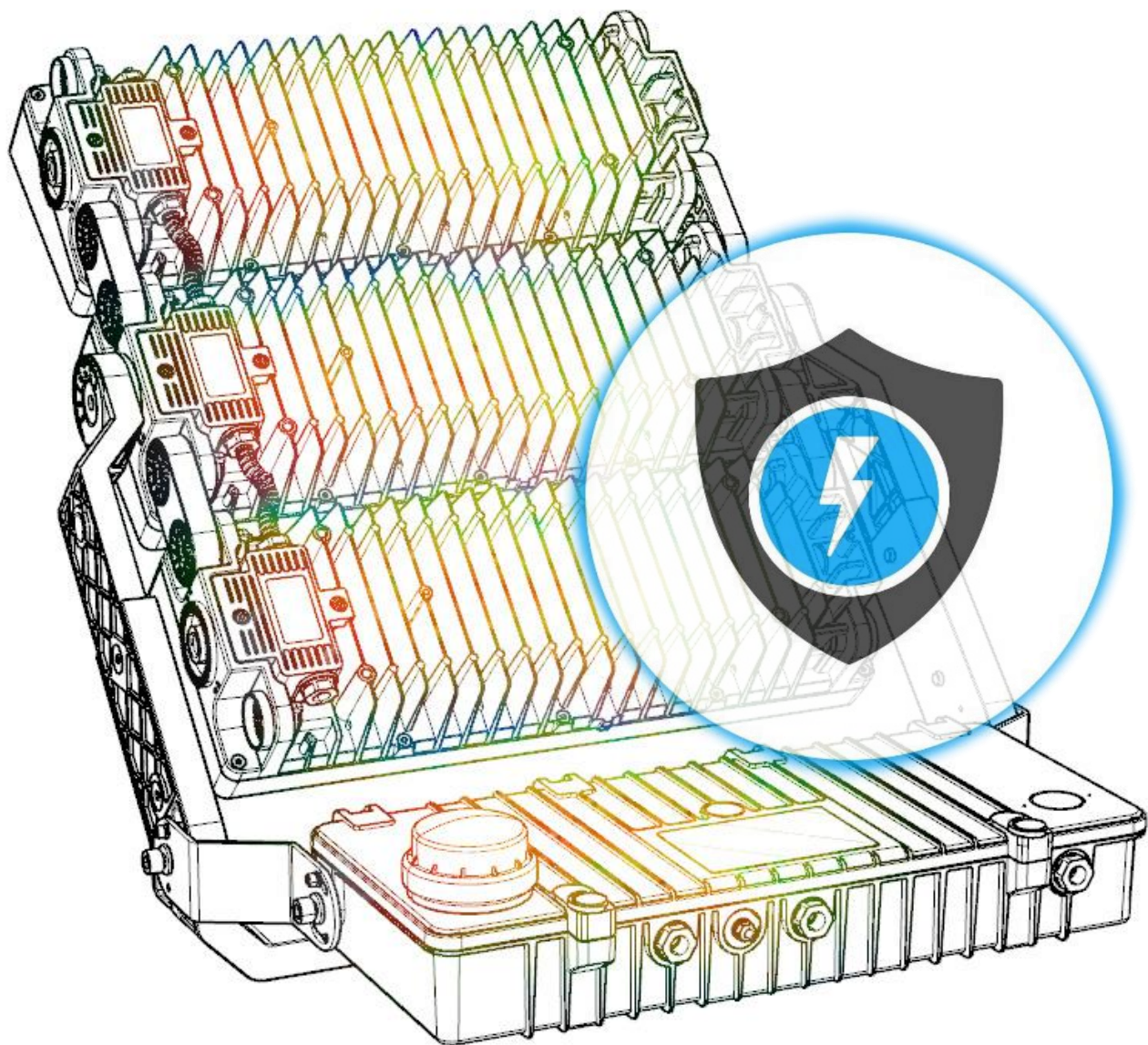
Bluetooth®





Based on wireless DALI+network
(Wireless transmission DALI command)

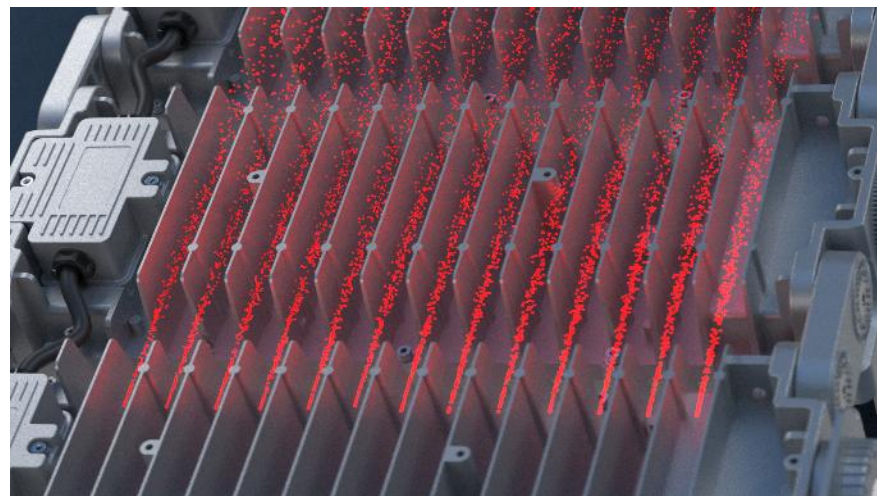


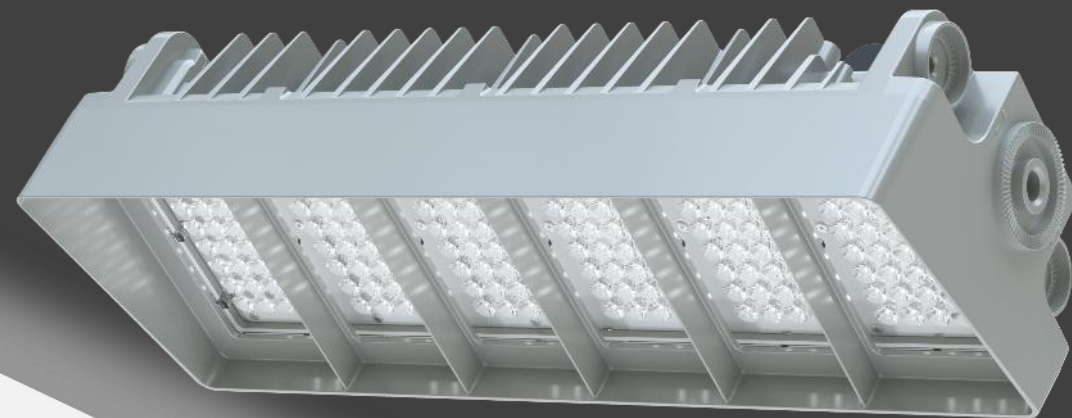


LONG-LIFE

Effective digital thermal management makes it easier for product lifespan to exceed 100000H

> 100000H

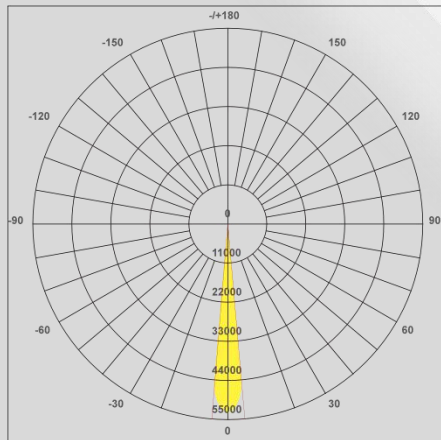




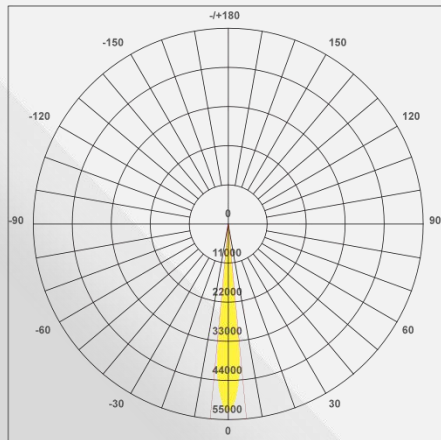
EXCELLENT LIGHTING QUALITY DESIGN FOR LIGHTING FIXTURES

Adopting a single-mode partition anti glare design, effectively preventing uncomfortable lighting caused by external light overflow. High power lamps can also achieve low glare optical design;

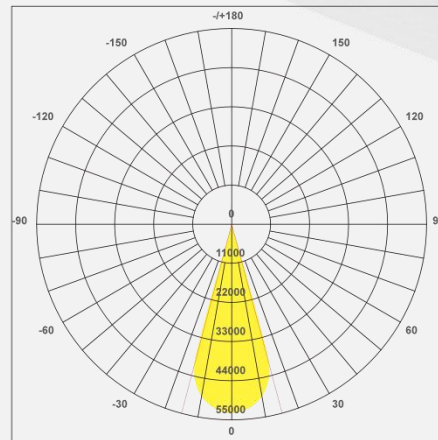
Design multiple optical angles according to different lighting needs to meet the needs of different scenes



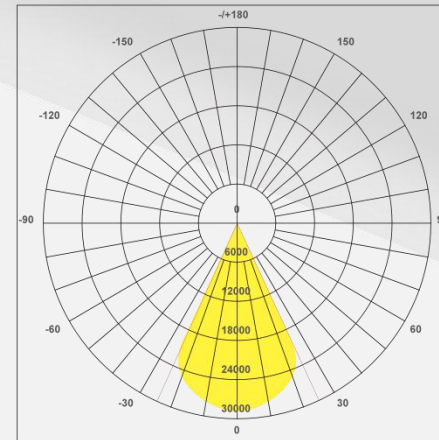
10°



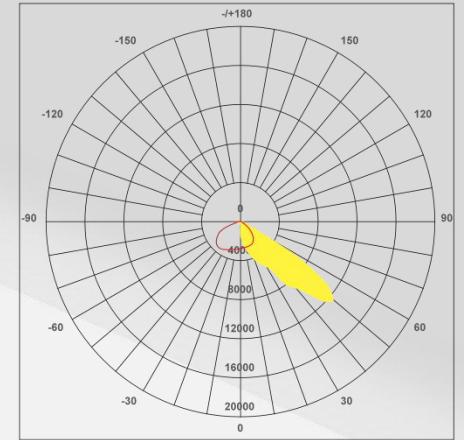
15°



30°



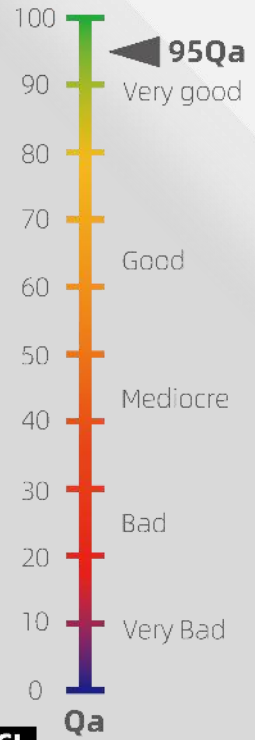
50°



Asymmetric

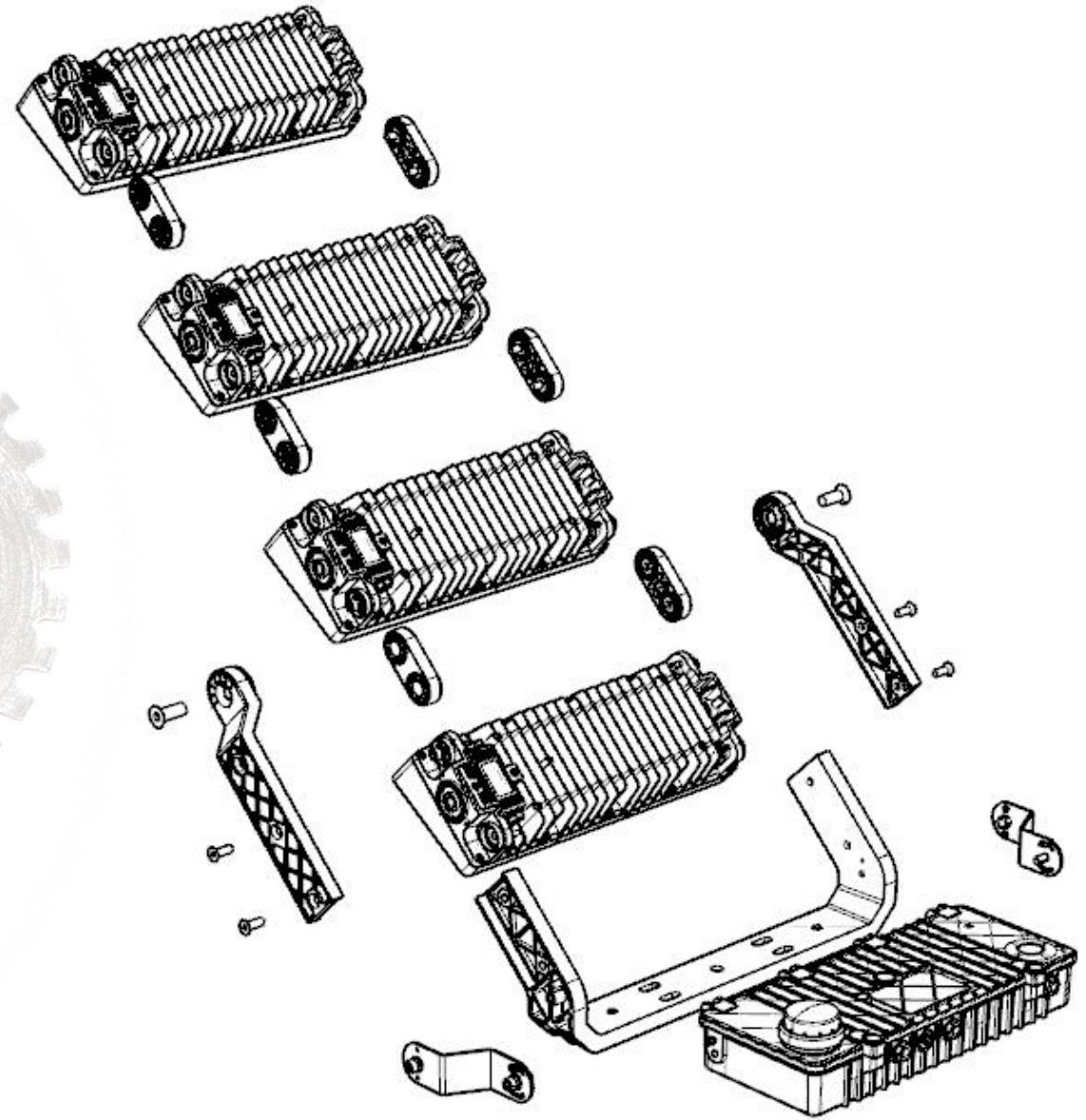
Television Lighting Consistency Index: Qa95

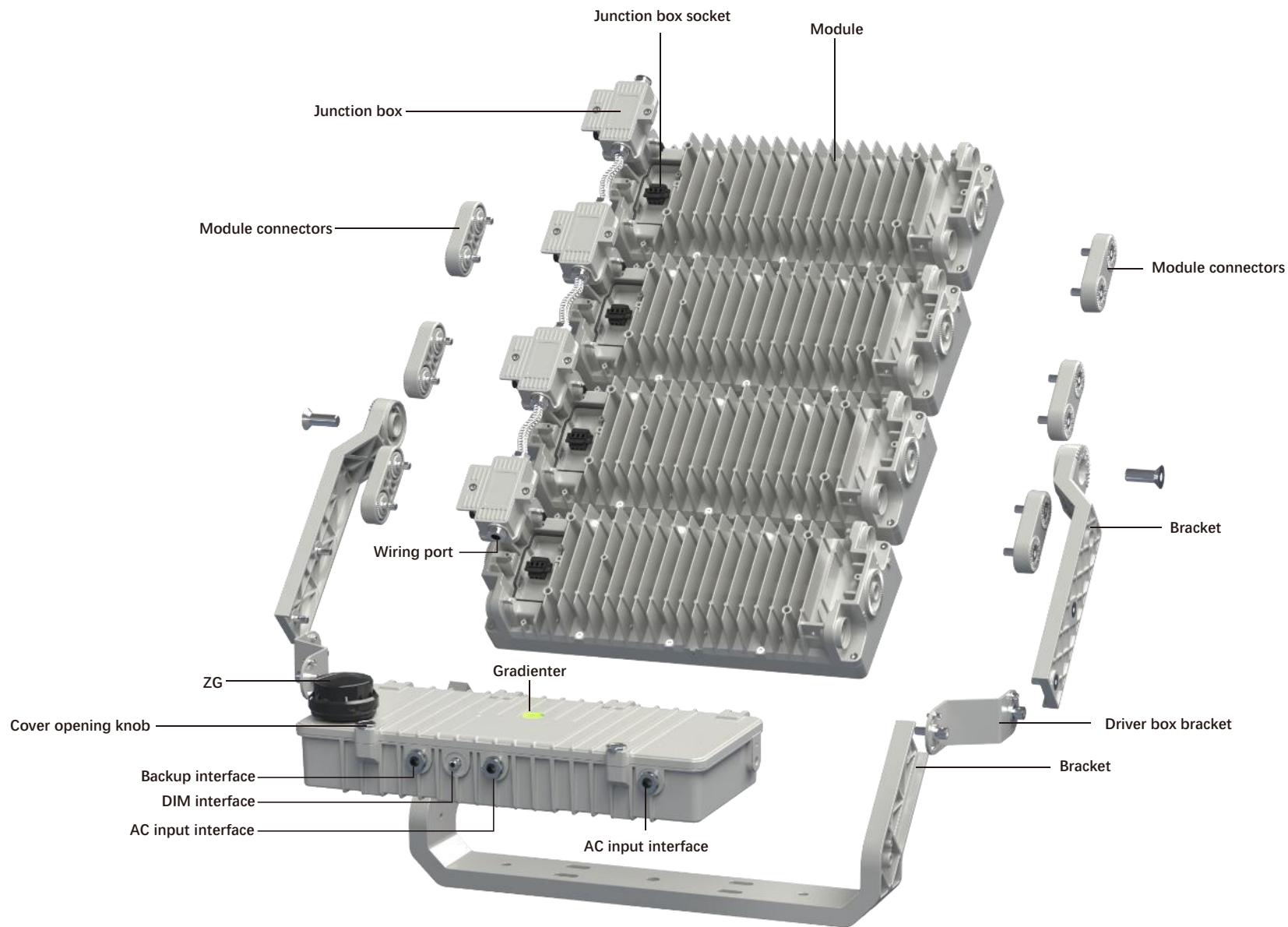
MHL 95Qa
Film-style production



FLEXIBLE INSTALLATION DESIGN

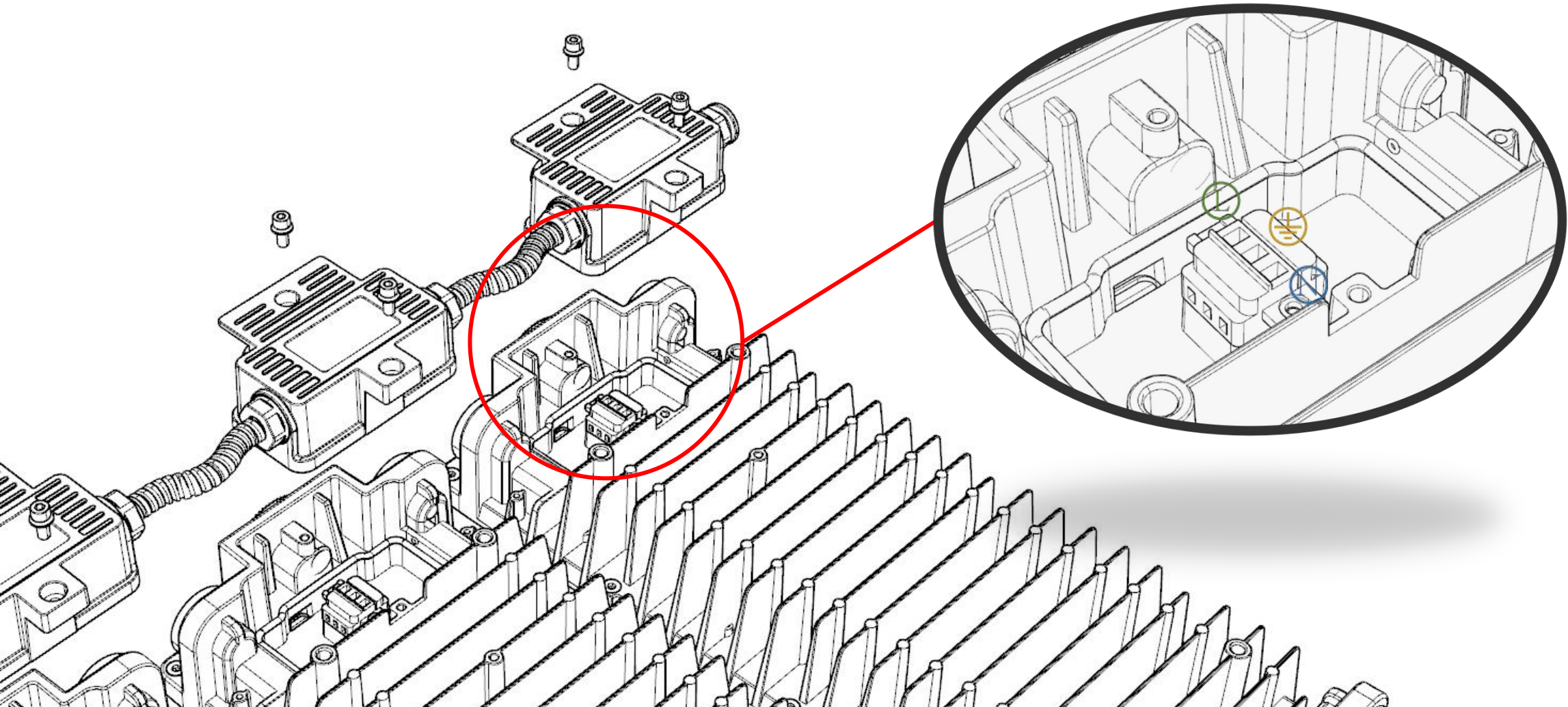
Flexible installation design reduces construction costs

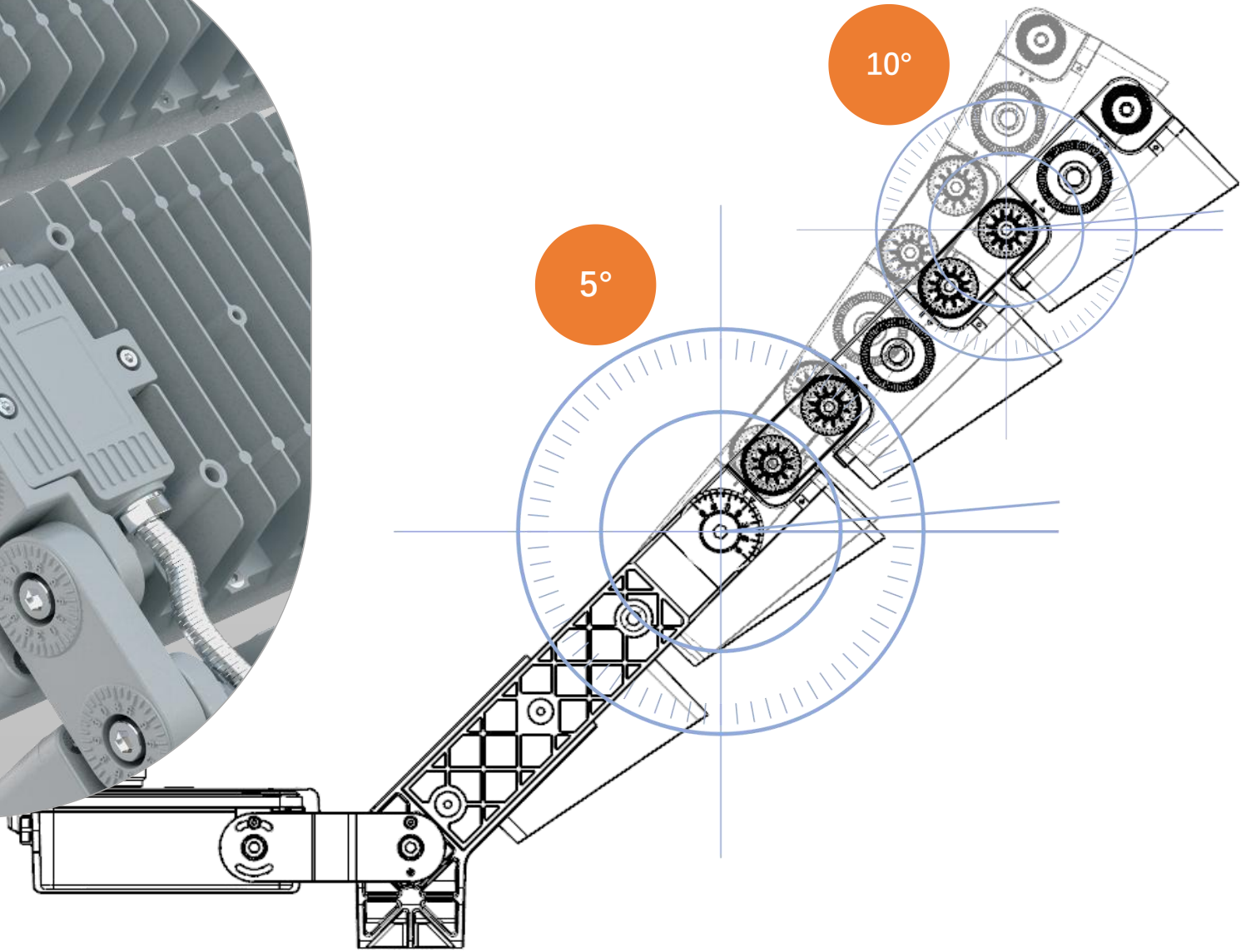
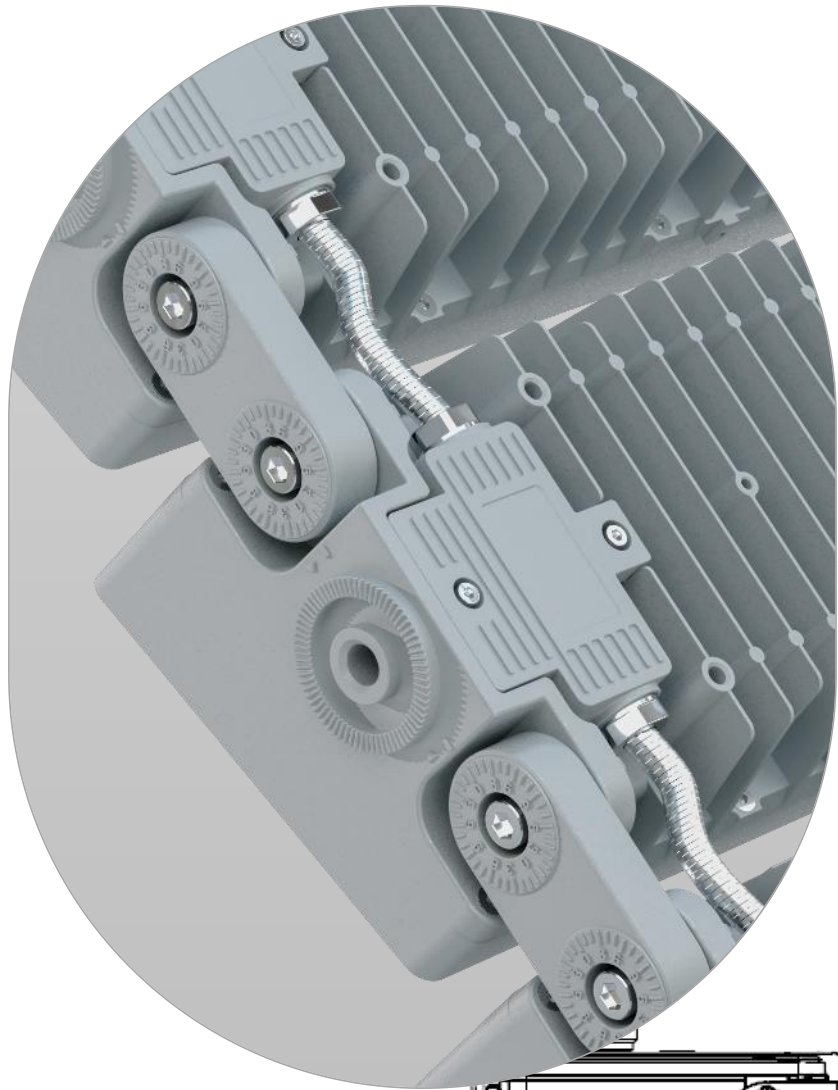


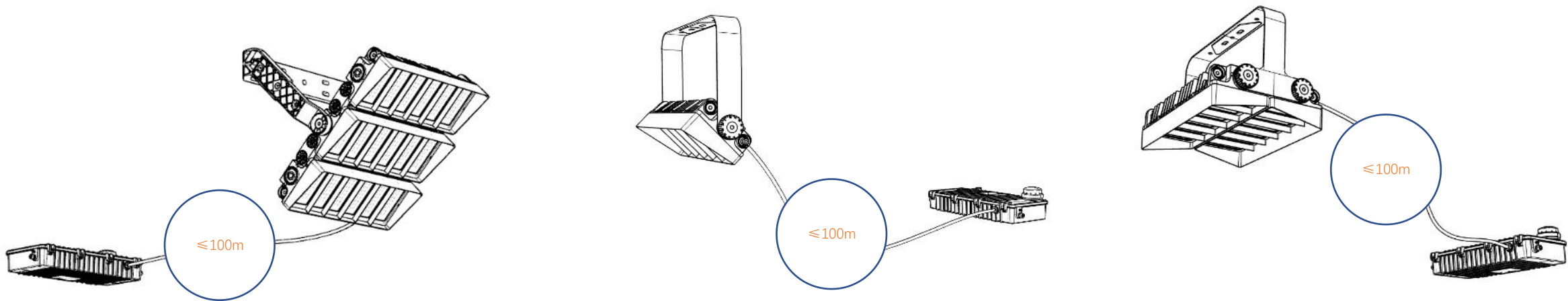


Product breakdown diagram

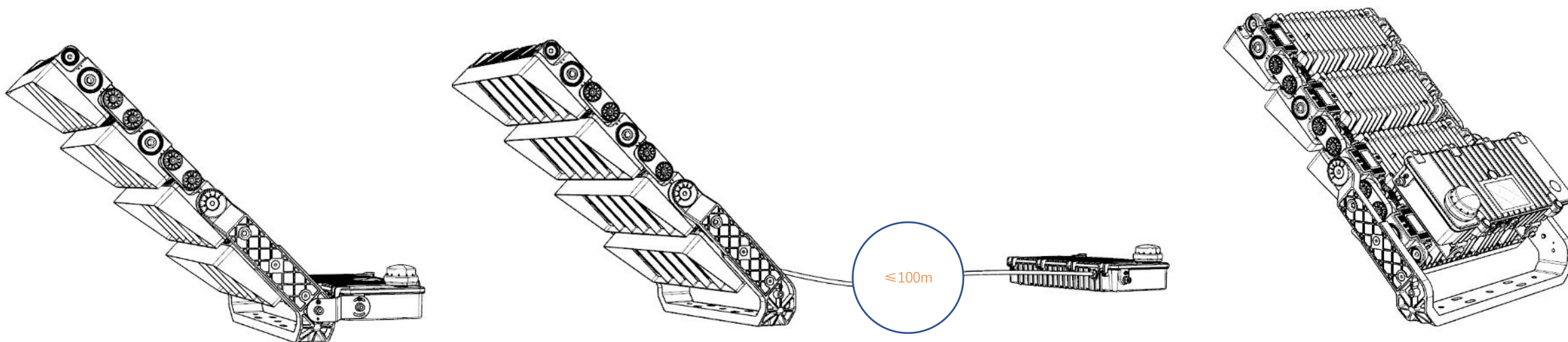
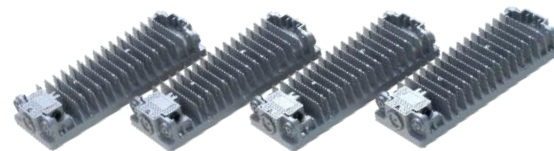
Junction box, straight in design







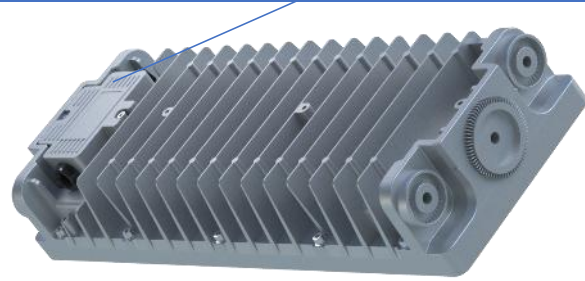
Flexible combination installation form



High temperature working environment temperature Lighting application solutions

NTC external temperature protector

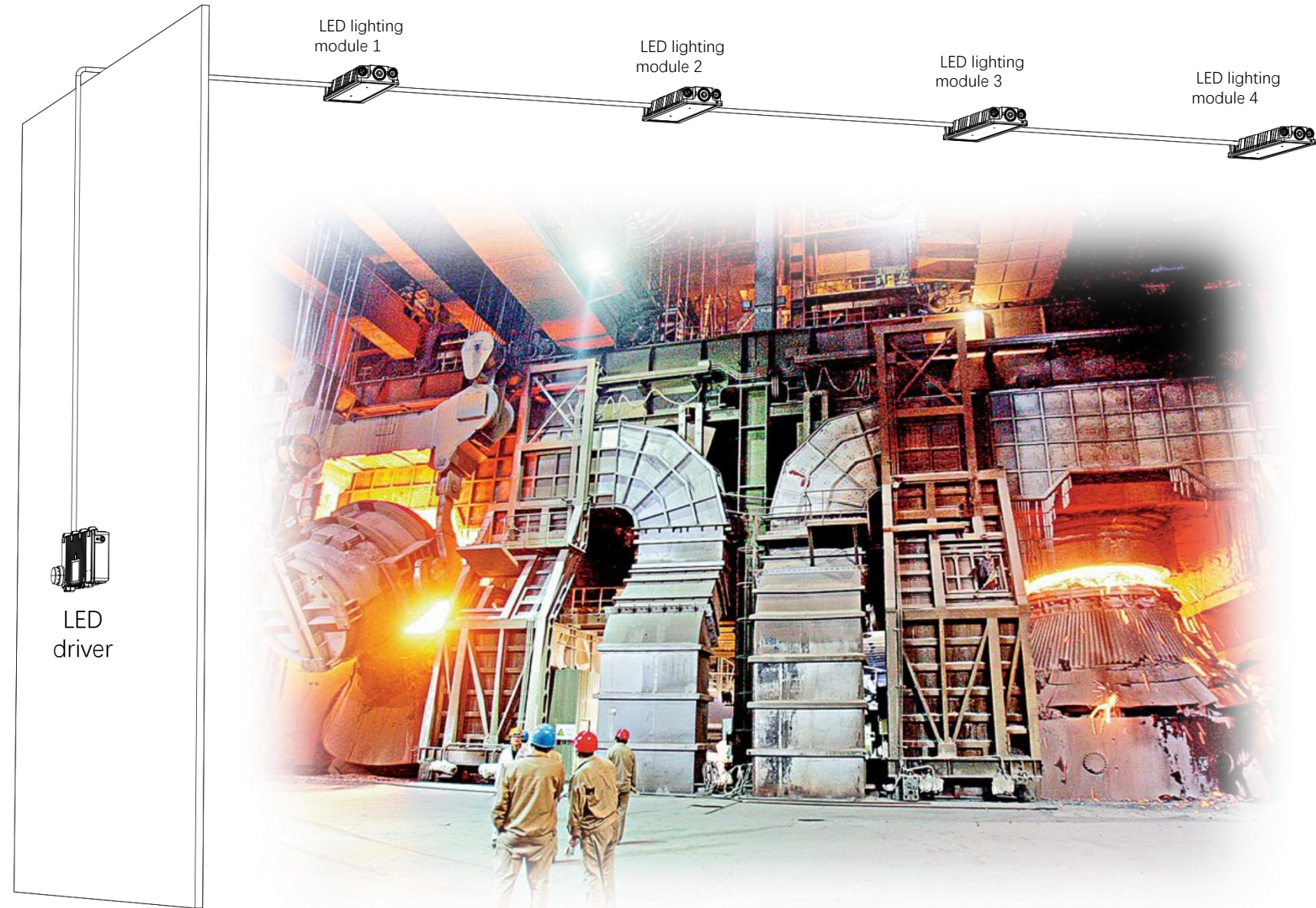
Ensure that the temperature of the LED module does not exceed its usage limit



tempering glass

Prevent PC optical lenses from being contaminated and corroded

Installation design of separate LED driver and LED lighting module



Application solution for corrosion-resistant environmental Lighting in port terminals

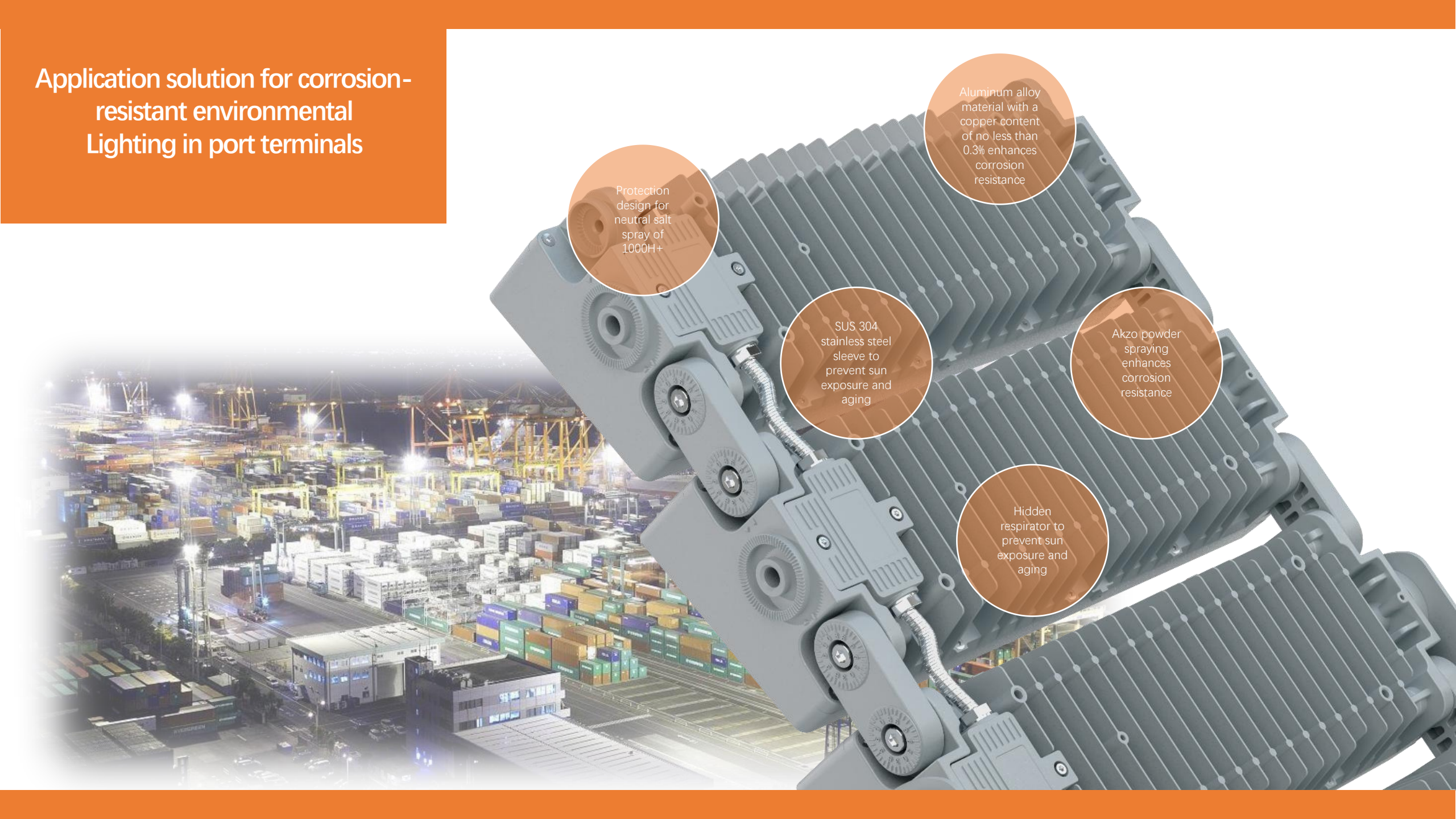
Protection design for neutral salt spray of 1000H+

Aluminum alloy material with a copper content of no less than 0.3% enhances corrosion resistance

SUS 304 stainless steel sleeve to prevent sun exposure and aging

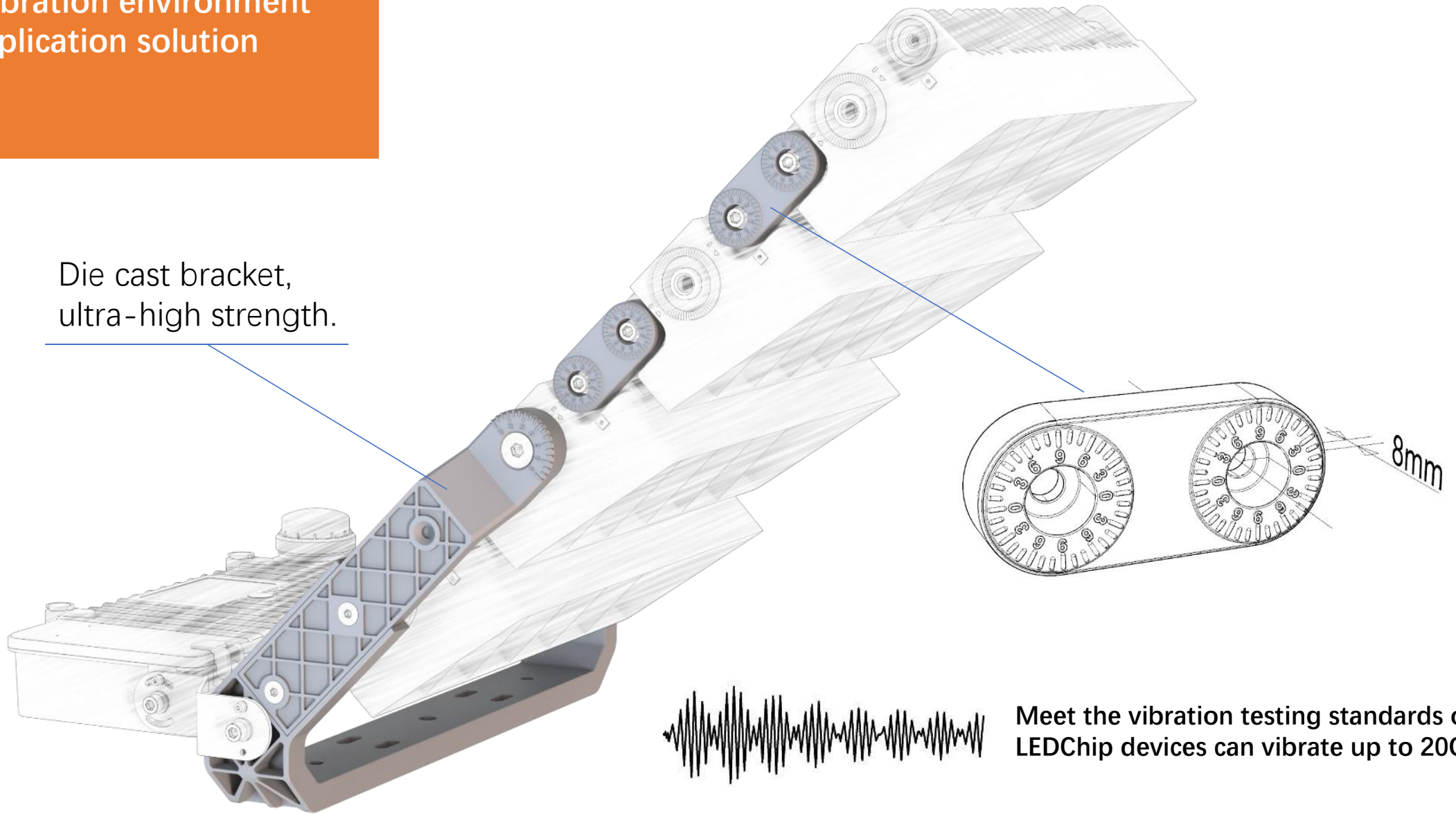
Akzo powder spraying enhances corrosion resistance

Hidden respirator to prevent sun exposure and aging



Anti vibration environment
Application solution

Die cast bracket,
ultra-high strength.



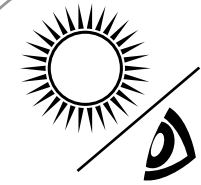
Meet the vibration testing standards of 3G
LEDChip devices can vibrate up to 20G

Event level TV broadcast
Lighting application solutions



Qa95

TLCI

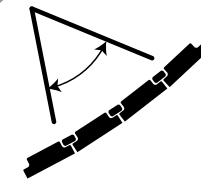


Low glare

44FPS



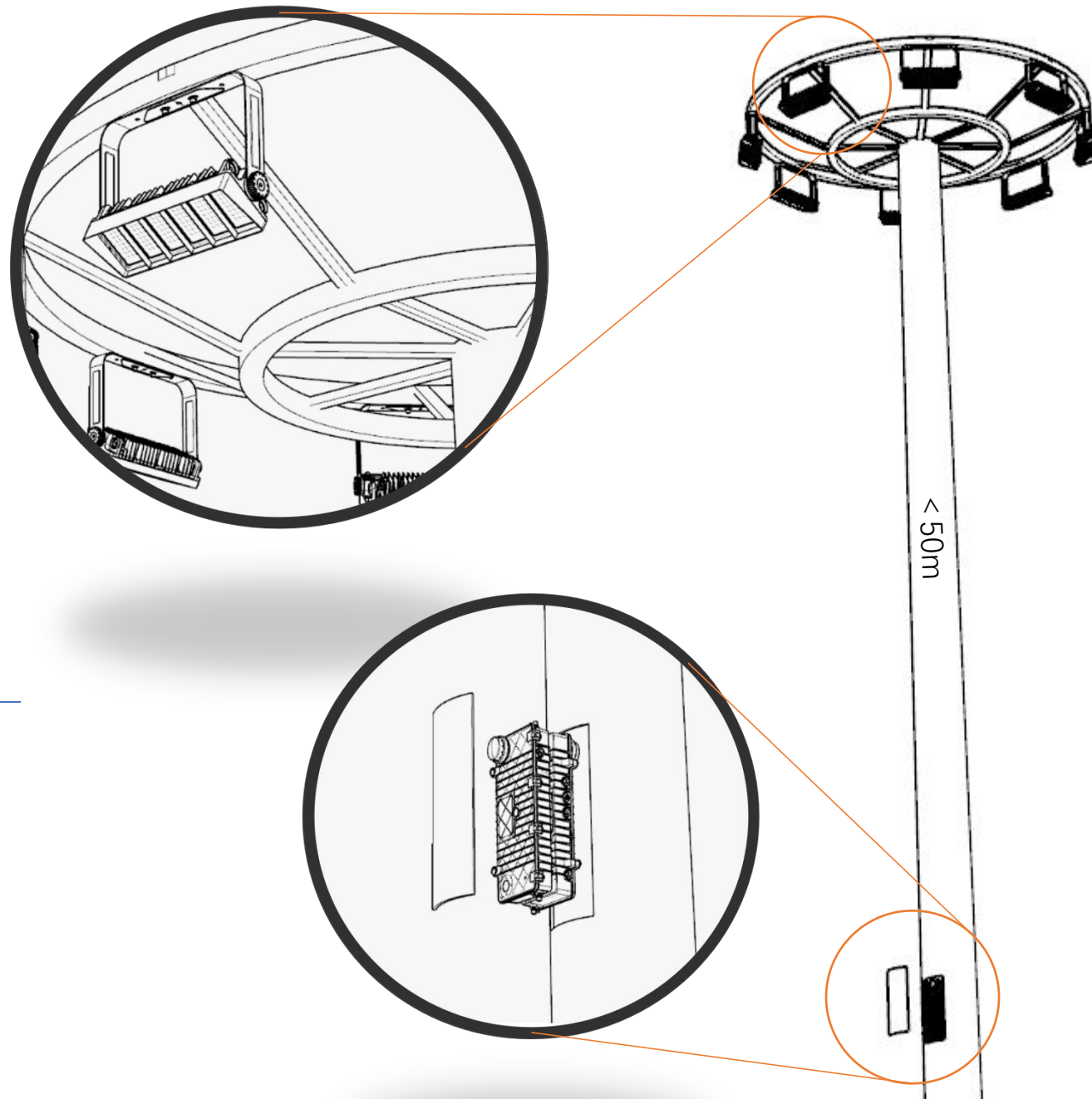
Intelligent assembly
Convenient
maintenance



Angle Adjustable
Adapt to multiple
scenarios

Outdoor high pole lighting fixtures Application solution

The module is designed with inlet and outlet lines, which can be installed in single or multiple modules. The maximum number of modules in multiple modules is 4 PCS



THANKS FOR WATCHING



GTL Lighting (Shenzhen) Co.,Ltd.
CWCE Lighting (Shenzhen) Co., Ltd.

Tel: +86-755-2839 7412

E-Mail: txiaokui@gtllighting.com

Web: www.gtllighting.com

Add: Room 101 of Bldg. 3, No.1 of Mingcheng Rd., Shijing Community, Shijing Street, Pingshan District, Shenzhen, Guangdong, P.R.China (Office)
Room 1001 of Bldg.16, No. 8 of Renluo 6 Rd., Shuikou Town, Huicheng District, Huizhou City. (Factory)